

WINNERS ONLY®

ASSEMBLY INSTRUCTIONS

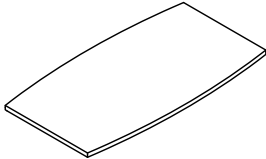
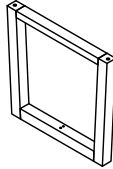
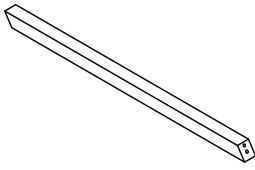
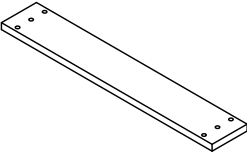
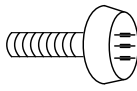
PROD. NO : T1-VN4272N- -X







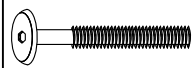
Thank you for purchasing this quality product. Be sure to check all packaging materials carefully for small parts that may have come loose inside the carton during shipment.

Reminders

1. Use only the hardware supplied.
2. Do not over-tighten bolts.
3. This item may require periodic tightening.

Hardware List :

COMPONENTS LIST			QTY
A	Table Top		1pc
B	Table Leg		2pcs
C	Bottom Rail		2pcs
D	Mounting Plate		2pcs
E	Adjustable Leveler		4pcs

NO	DESCRIPTION	SIZE	FIGURE	QTY
1	Short Bolt	Ø5/16"x 57mm		12pcs
2	Spring Washer	Ø5/16"x 12mm		16pcs
3	Flat Washer	Ø5/16"x 19mm		12pcs
4	Allen Key	58x 23x 4mm		1pc
5	Short Bolt	Ø1/4"x 45mm		2pcs
6	Small Flat Washer	Ø1/4"x 12mm		4pcs
7	Long Bolt	Ø1/4"x 75mm		2pcs

IMPORTANT NOTE:

- Please keep all hardware parts out of the reach of children.
- Two or more people are needed for assembly.

Step 1.

Attached Mounting Plate (D) to the Table Leg (B) using the provided hardware as shown on Fig.1 .

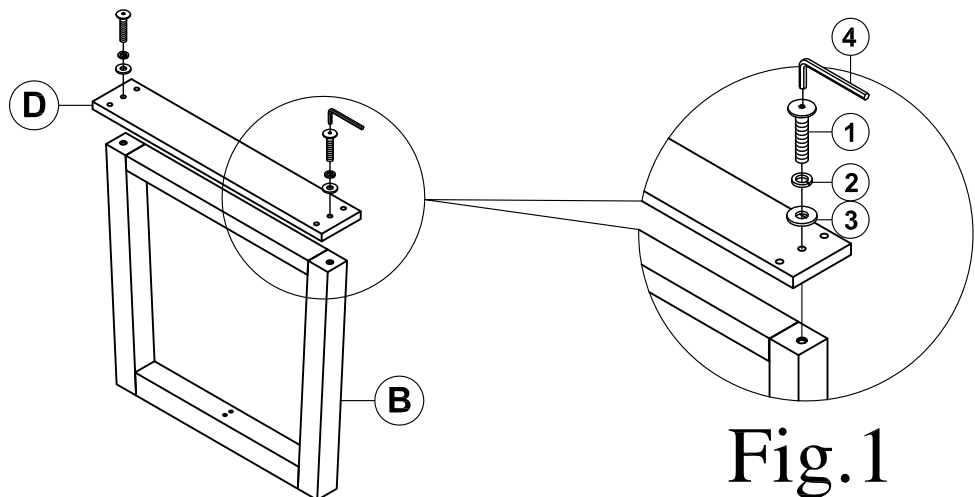


Fig.1

WINNERS ONLY®

ASSEMBLY INSTRUCTIONS

Step 2.

Turn Table Top (A) upside down on a soft protective surface and attached Mounting Plate (D) to the Table Top (A) using the provided hardware as shown on Fig.2 .

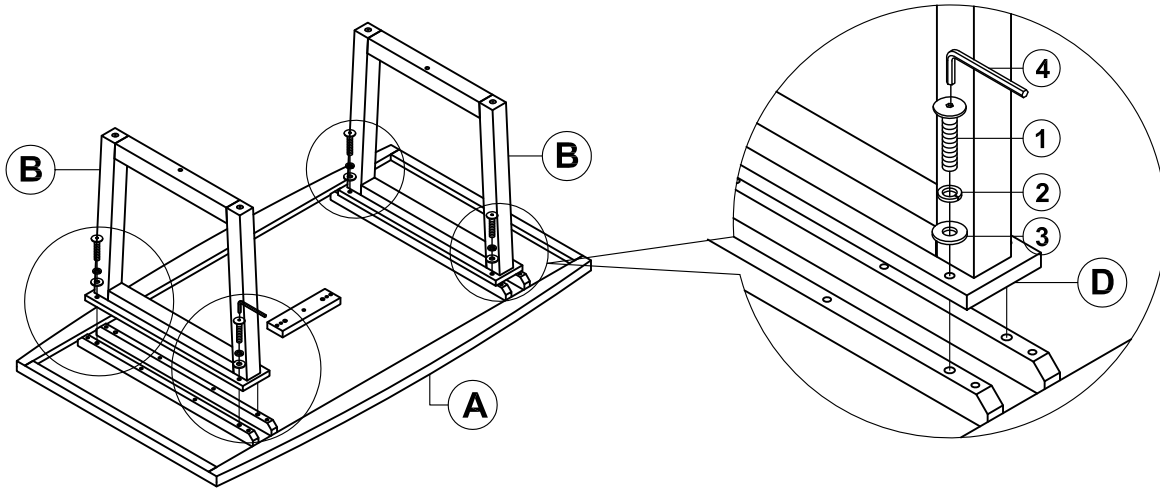


Fig.2

Step 3.

Attached Bottom Rail (C) to the Table Top (A) and to Table Leg (B) using the provided hardware as shown on Fig.3, Fig.4 .

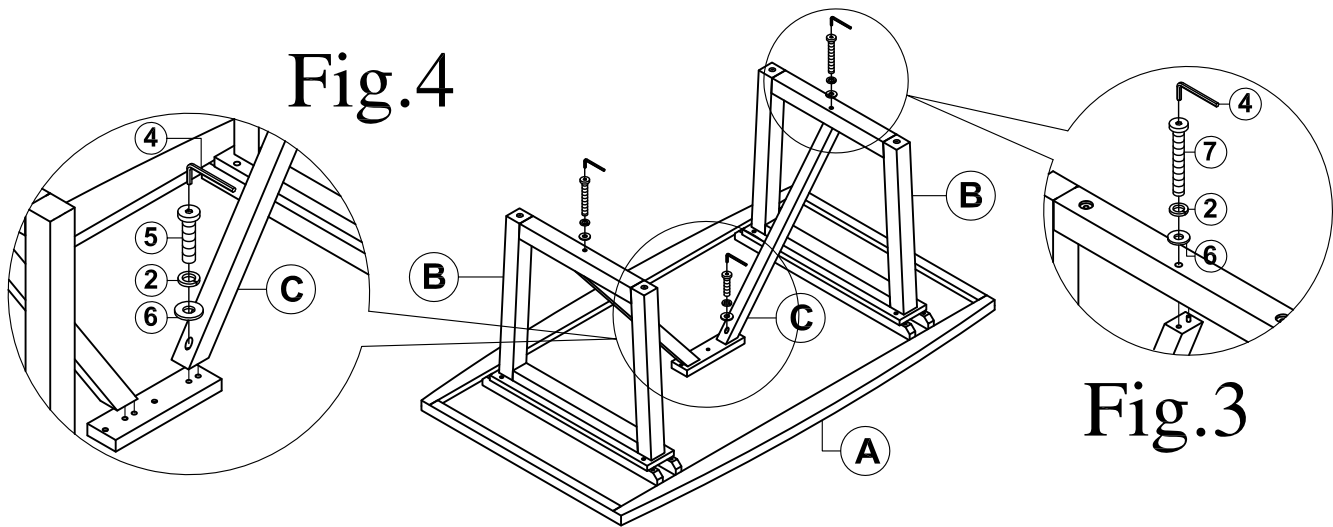


Fig.4

Fig.3

Step 4.

Carefully turn table to upright position.
Assembly Completed

