

WINNERS ONLY®

ASSEMBLY INSTRUCTIONS

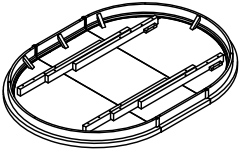
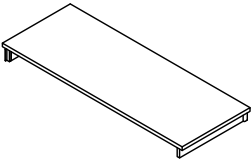
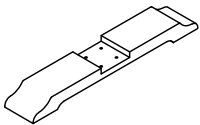
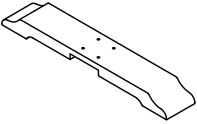
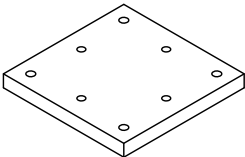
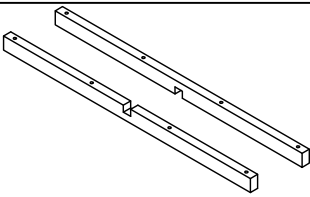

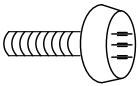
**ITEM NO : T1-SN4866 -T -G & T1-SN4866 -B -G
T1-SN4866 -T -X & T1-SN4866 -B -X**

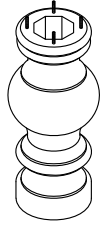
IMPORTANT NOTICE:
Storing and opening the leaf requires 2 people.

Thank you for purchasing this quality product. Be sure to check all packaging materials carefully for small parts that may have come loose inside the carton during shipment.




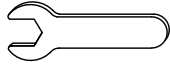
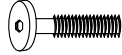



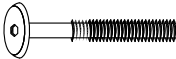
Reminders

1. Use only the hardware supplied.
2. Do not over-tighten bolts.
3. This item may require periodic tightening.

T1-SN4866-T-G/ T1-SN4866-T-X COMPONENTS LIST			QTY
A	Table Top		1pc
B	Table Leaf		1pc
C	Table Leg		1pc
			1pc
D	Mounting Plate		1pc
E	Bottom Rail		2pcs
F	Clamp Lock		4pcs
G	Adjustable Leveler		4pcs

T1-SN4866-B-G/ T1-SN4866-B-X COMPONENTS LIST			QTY
H	Post		1pc

Hardware List :

NO	DESCRIPTION	SIZE	FIGURE	QTY
1	Flat Washer	Ø5/16"x 19mm		12pcs
2	Spring Washer	Ø5/16"x 12mm		16pcs
3	Hex- Nut	Ø5/16"x 12mm		4pcs
4	Wrench	Ø5/16"x 12mm		1pc
5	Short Bolt	Ø1/4"x75mm		4pcs
6	Small Flat Washer	Ø1/4"x 12mm		4pcs
7	Allen Key	58x 23x 4mm		1pc
8	Long Bolt	Ø1/4"x 90mm		4pcs
9	Long Bolt	Ø5/16"x 105mm		4pcs

IMPORTANT NOTE:

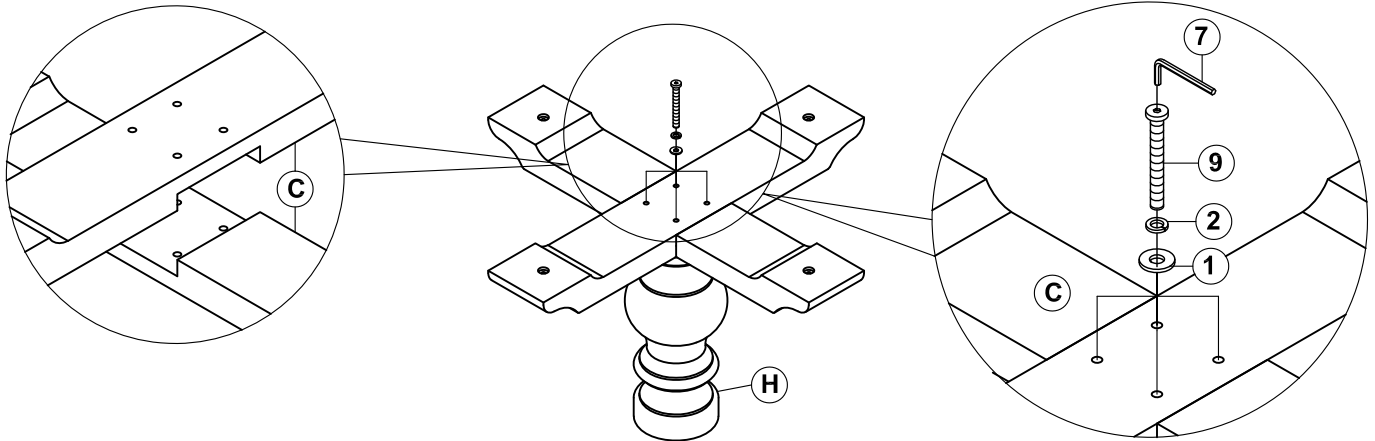
- Please keep all hardware parts out of the reach of children.
- Two or more people are needed for assembly.

WINNERS ONLY[®]

ASSEMBLY INSTRUCTIONS

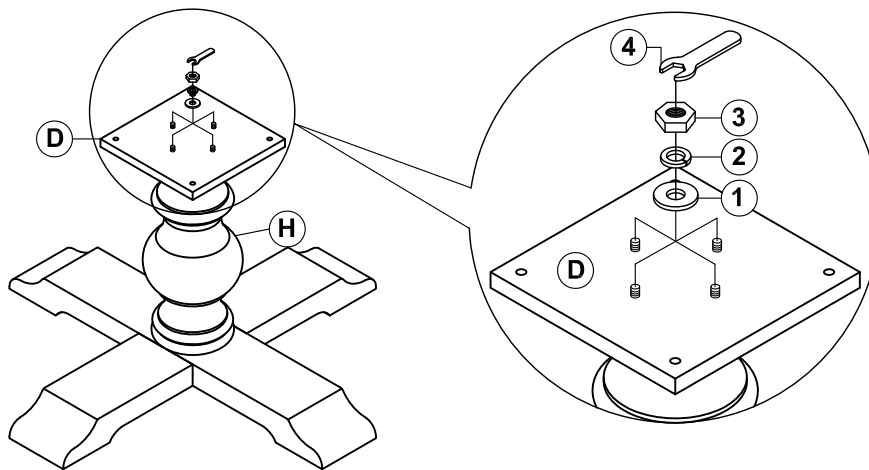
STEP 1:

Attach Table Leg (C) to the Post (H), using flat washers (1), spring washers (2), long bolt (9) tighten with Allen Key (7).



STEP 2:

Attach Mounting Plate (D) to the Post (H), using flat washers (1), spring washers (2), hex-nut (3) tighten with wrench (4).



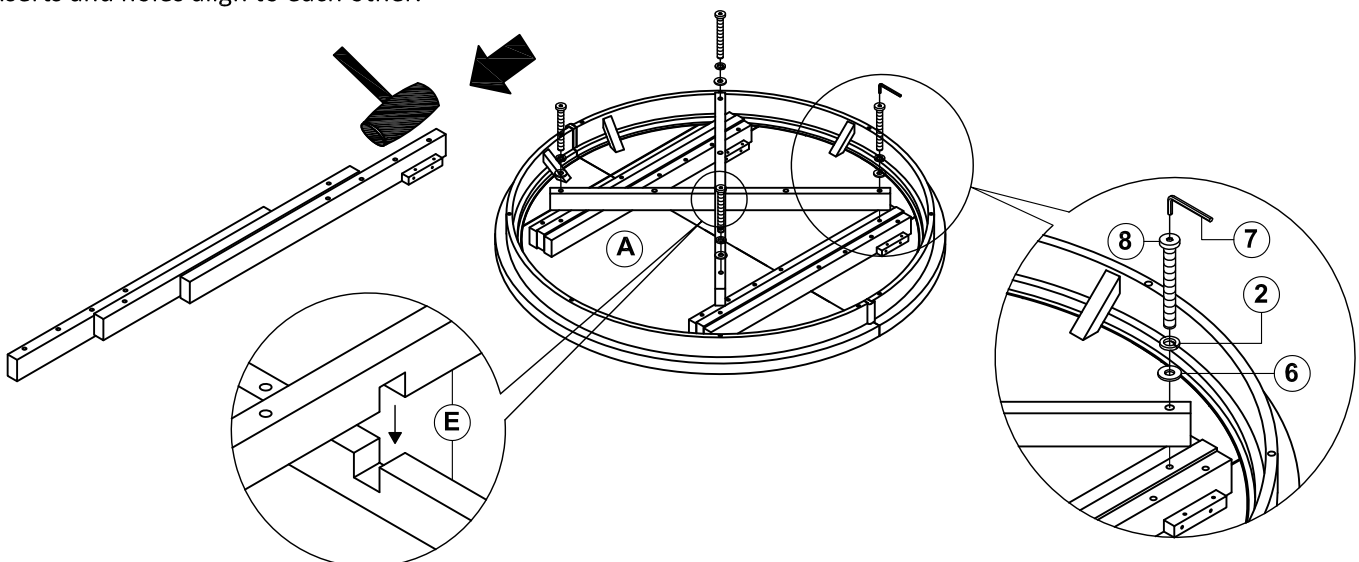
STEP 3:

Please take off the leaf and lock the table before assembly.

Place table top (A) upside down on a smooth and flat surface.

Attach Bottom Rail (E) to the Table Top (A), using small flat washers (6), spring washers (2), long bolt (8) tighten with allen key (7).

NOTE: In the event that the holes from the Bottom Rail do not align to the inserts located in the glides of the Table Top (A), use a rubber mallet (not provided) to gently tap the center wooden bar from the glide until the inserts and holes align to each other.

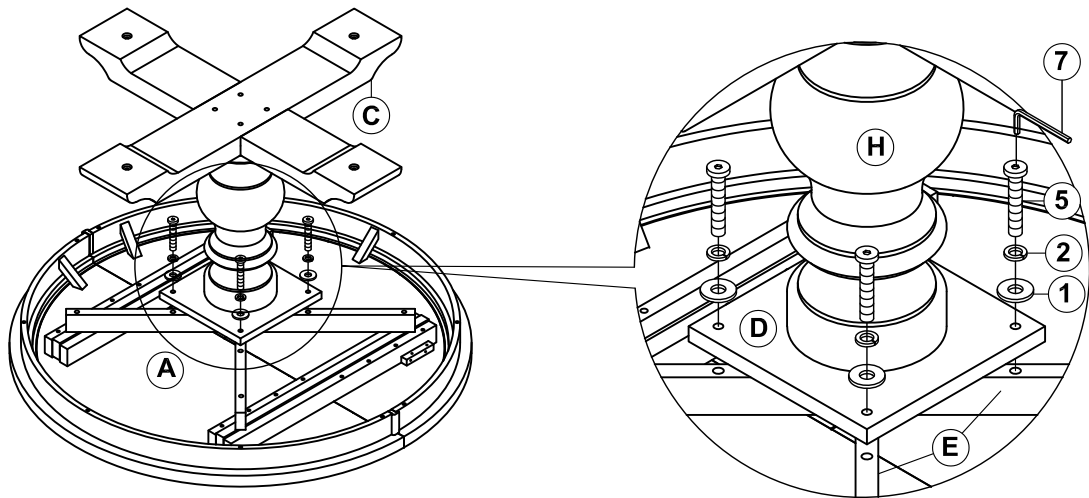


WINNERS ONLY®

ASSEMBLY INSTRUCTIONS

STEP 4:

Attach Mounting Plate (D) to the Bottom Rail (E), using flat washers (1), spring washers (2), short bolt (5) tighten with allen key (7).



STEP 5:

- Turn the table to upright position. open the latches underneath of table top (A). pull from both ends of table top (A).
- Turn the table to the upright position. Unlock the latch underneath of the Table Top (A).
- Pull the table top from both ends, place the Table Leaf (B) in position. Lock the latch underneath of the Table Top (A) to prevent from sliding. Assembly product is now completed.

