

WINNERS

ONLY INC.

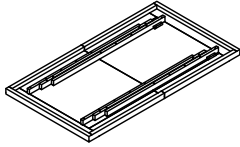
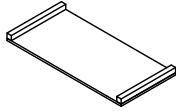
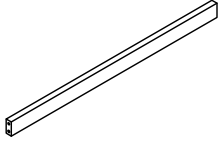
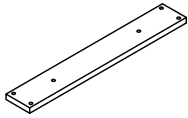
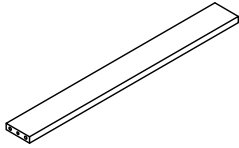
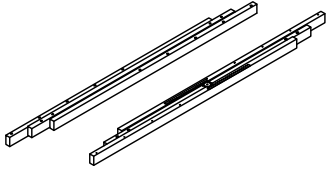
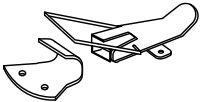
ASSEMBLY INSTRUCTIONS

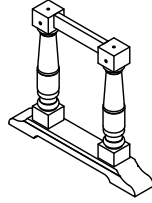
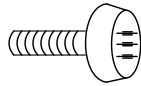
**ITEM NO : T1-SN4296-T-G & T1-SN4296-B-G
T1-SN4296-T-X & T1-SN4296-B-X**

Thank you for purchasing this quality product. Be sure to check all packaging materials carefully for small parts that may have come loose inside the carton during shipment.

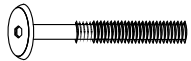



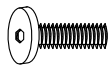
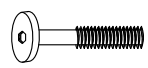


Reminders

1. Use only the hardware supplied.
2. Do not over-tighten bolts.
3. This item may require periodic tightening.

T1-SN4296-T-G / T1-SN4296-T-X COMPONENTS LIST			QTY
A	Table Top		1pc
B	Table Leaf		1pc
D	Trestle Bar		2pcs
E	Mounting Plate		2pcs
F	Bottom Rail		1pc
G	Glides		2pcs
H	Clamp Lock		4pcs

T1-SN4296-B-G / T1-SN4296-B-X COMPONENTS LIST			QTY
C	Table Legs		2pcs
I	Adjustable Leveler		4pcs

Hardware List :

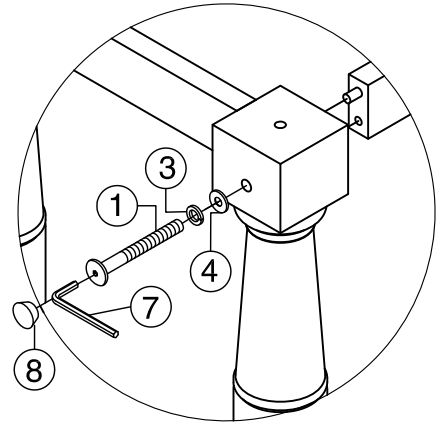
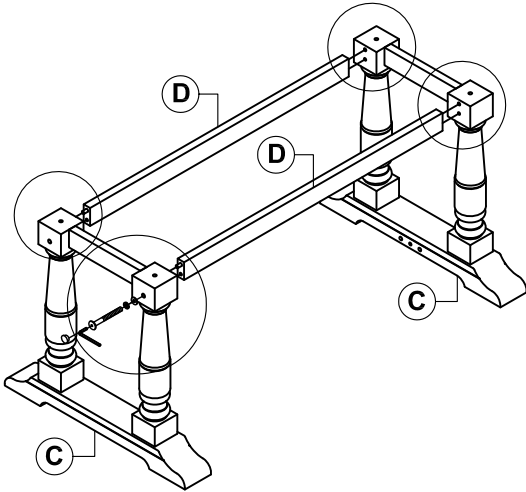
NO	DESCRIPTION	SIZE	FIGURE	QTY
1	Long Bolt	Ø5/16"x 110mm		4pcs
2	Flat Washer	Ø5/16"x 19mm		16pcs
3	Spring Washer	Ø5/16"x 12mm		20pcs
4	Small Flat Washer	Ø5/16"x 14mm		4pcs
5	Short Bolt	Ø5/16 "x 45mm		8pcs
6	Short Bolt	Ø1/4"x 75mm		8pcs
7	Allen Key	58x 23x 4mm		1pc
8	Wood Cap	Ø15.5x 10mm		4pcs

IMPORTANT NOTE:

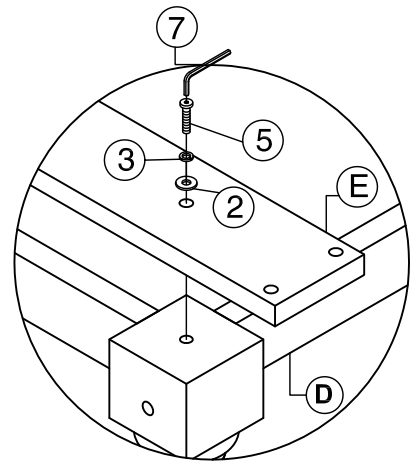
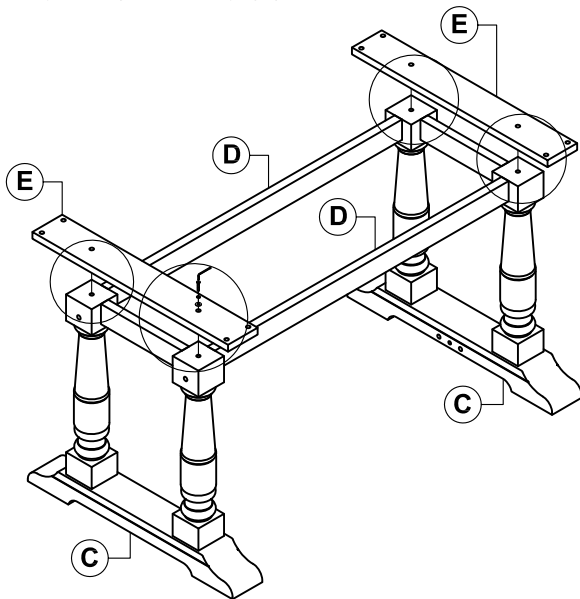
- Please keep all hardware parts out of the reach of children.
- Two or more people are needed for assembly.

WINNERS ONLY INC. ASSEMBLY INSTRUCTIONS

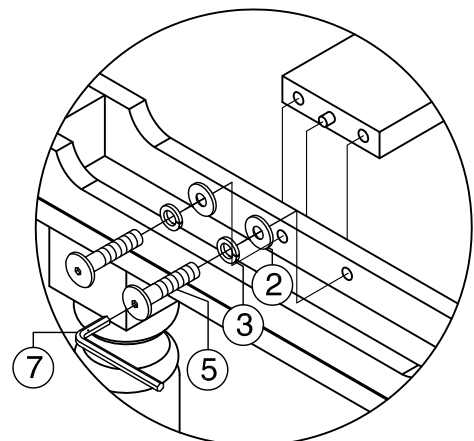
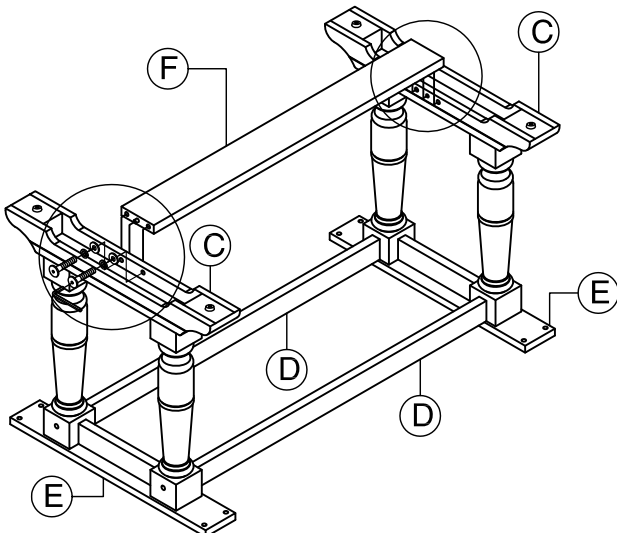
STEP 1: Attach Table Leg (C) Trestle Bar (D), Long Bolt (1), spring washers (3), small flat washers (4), tighten by using allen key (7), Wood Cap (8).



STEP 2: Attach Mounting Plate (E) to the Table Leg (C), insert short bolts (5), spring washers (3), flat washers (2) and tighten by using allen key (7).



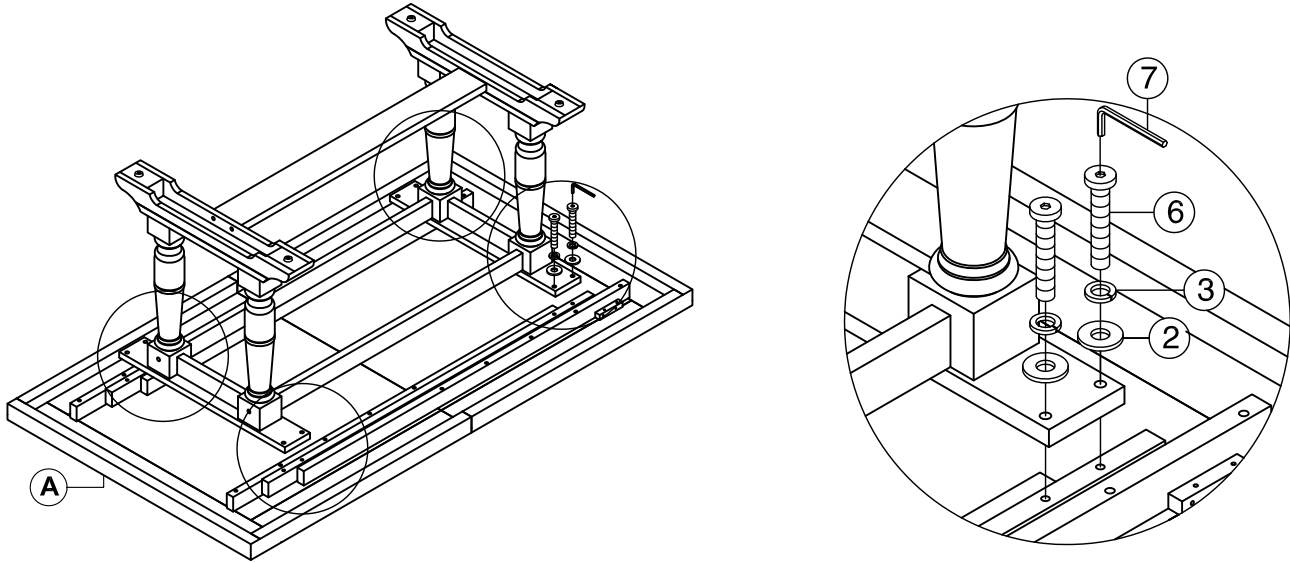
STEP 3: Attach Bottom Rail (F) to the Table Leg (C), insert short bolts (5), spring washers (3), flat washers (2) tighten by using allen key (7).



IMPORTANT NOTICE:
Storing and opening the leaf
requires 2 people.

WINNERS ONLY INC. ASSEMBLY INSTRUCTIONS

STEP 4: Attach the assembly base to the Table Top (A), insert Short Bolt (6), spring washers (3), flat washers (2) and tighten by using allen key (7).



STEP 5: Turn the table to the upright position. Unlock the latch underneath of the Table Top (A). Pull the table top from both ends, place the Table Leaf (B) in position. Lock the latch underneath of the Table Top (A) to prevent from sliding. Assembly product is now completed.

