

WINNERS ONLY®

ASSEMBLY INSTRUCTIONS

PROD.NO: T1-RT4095 - -D

Thank you for purchasing this quality product. Be sure to check all packaging materials carefully for small parts that may have come loose inside the carton during shipment.

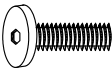




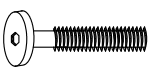
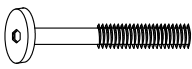
Reminders

1. Use only the hardware supplied.
2. Do not over-tighten bolts.
3. This item may require periodic tightening.

COMPONENTS LIST		QTY
A	Table Top	1pc
B	Table Legs	2pcs
C	Mounting Plate	2pcs
D	Trestle Bar	1pc
E	Bottom Rail	1pc
F	Display Apron	4pcs
G	Cap	2pcs
H	Apron Leaf (Left- Right)	4pcs
I	Glides (Left- Right)	4pcs
J	Leaf Hinge	4pcs
K	Clamp Lock	8pcs
L	Support Leaf Axle	2pcs
M	Apron Hinge	8pcs
N	Apron Lock	4pcs

COMPONENTS LIST		QTY
O	Adjustable Leveler	4pcs
P	Plastic Insert	2pcs

Hardware List :

NO	DESCRIPTION	SIZE	FIGURE	QTY
1	Short Bolt	1/4"x 45mm		18pcs
2	Spring Washer	5/16"x 12mm		30pcs
3	Small Washer	1/4"x 12mm		16pcs
4	Allen Key	58x 23x 4mm		1pc
5	Flat Washer	5/16"x 19mm		14pcs
6	Bolt	1/4"x 85mm		4pcs
7	Long Bolt	1/4"x 105mm		8pcs

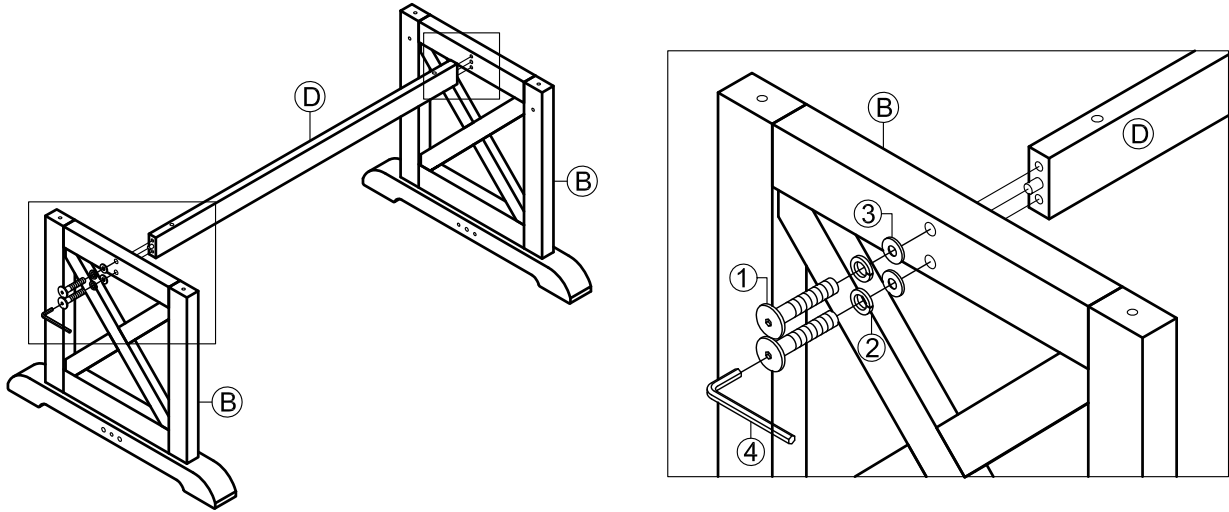
IMPORTANT NOTE:

- Please keep all hardware parts out of the reach of children.
- Two or more people are needed for assembly.

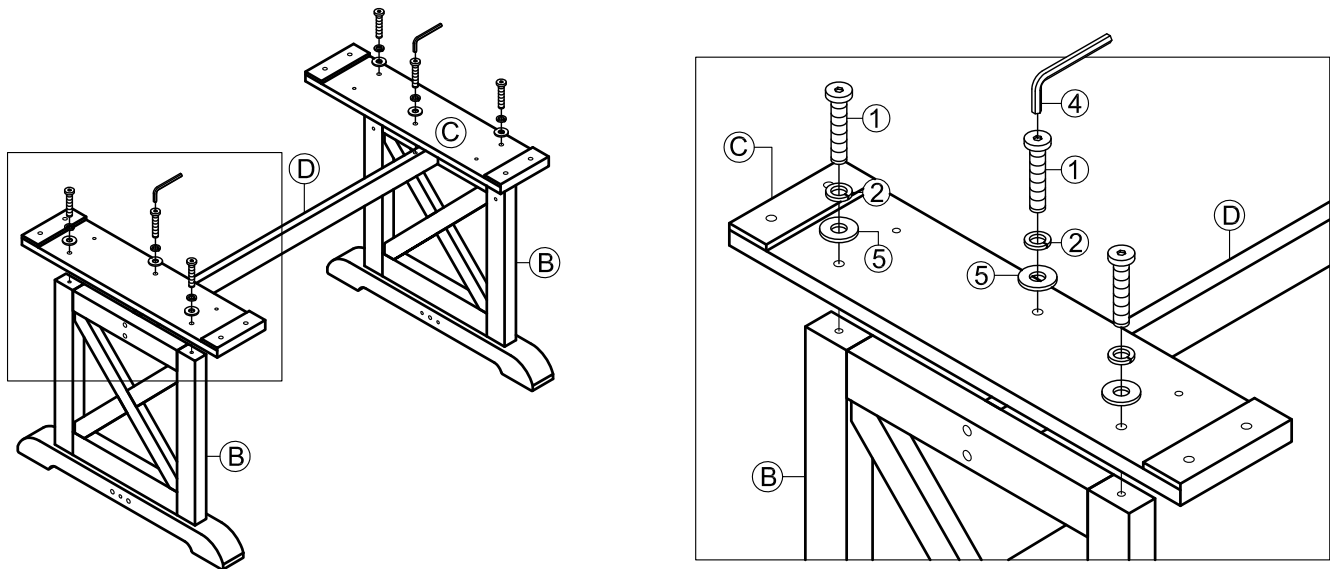
WINNERS ONLY[®]

ASSEMBLY INSTRUCTIONS

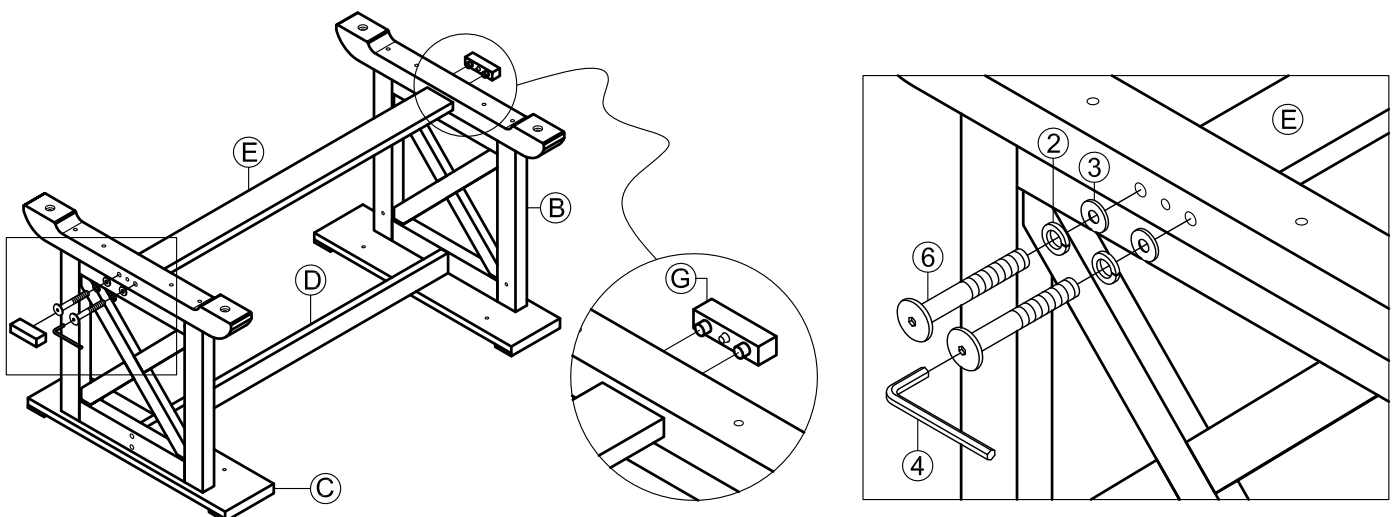
Step (1): Attach Table Leg (B) to the Trestle Bar (D), insert short bolts (1), spring washers (2), small washers (3), tighten by using allen key (4). Do not fully tighten yet.



Step (2): Attach Mounting Plate (C) to the Table Leg (B), insert short bolts (1), spring washers (2), flat washers (5) and attach Mounting Plate (C) to the Trestle Bar (D), insert short bolts (1), spring washers (2), flat washers (5), tighten by using allen key (4). Do not fully tighten yet.



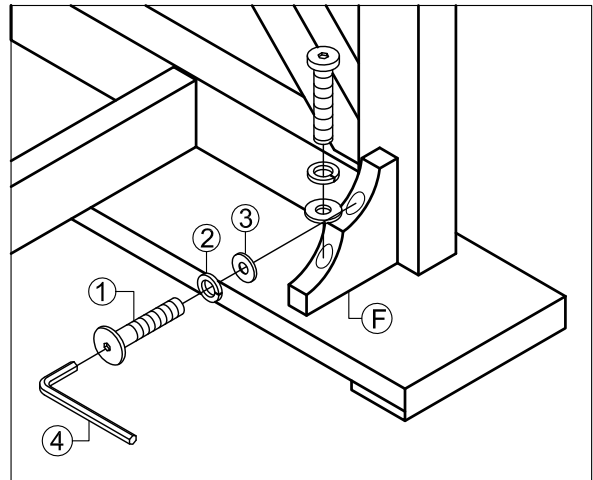
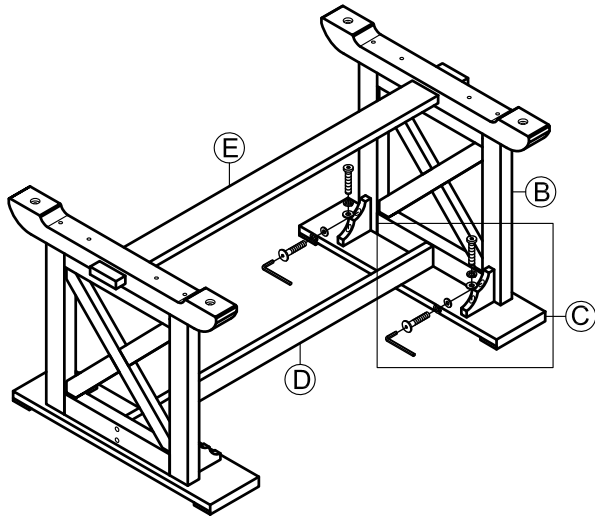
Step (3): Attach Bottom Rail (E) to the Table Leg (B), insert small washers (3), spring washers (2), bolts (6), tighten by using allen key (4), do not fully tighten yet and put cap (G) into the hole of the Table Leg (B) as shown.



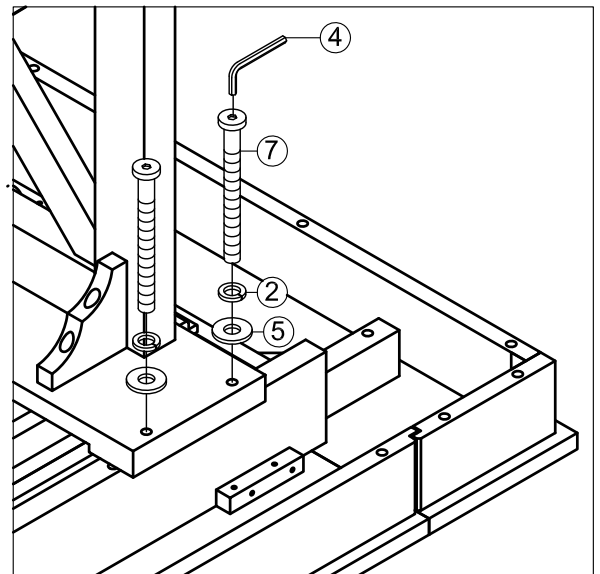
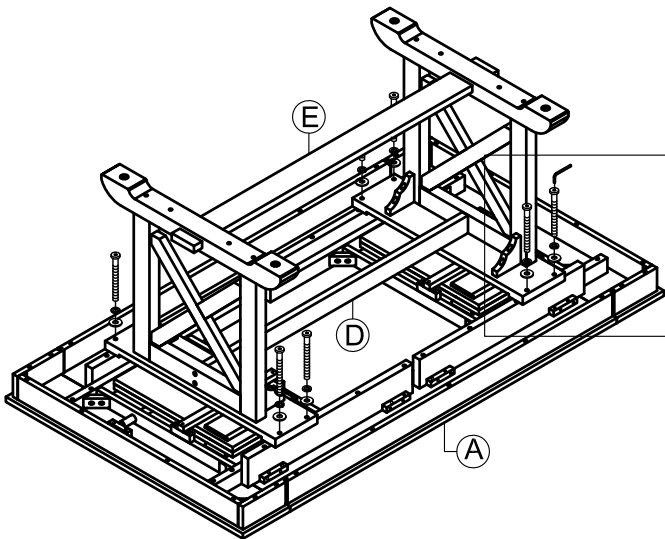
WINNERS ONLY[®]

ASSEMBLY INSTRUCTIONS

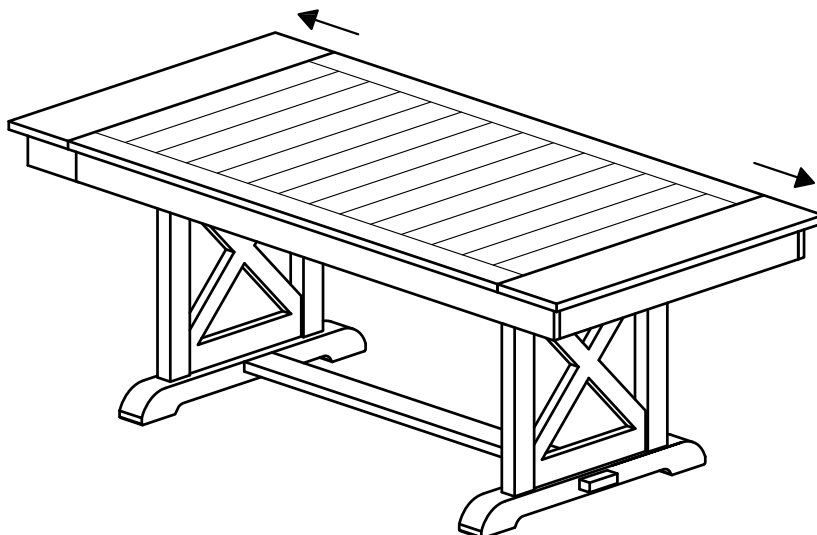
Step (4): Attach Display Apron (F) to the Mounting Plate (C) and Table Leg (B) , insert short bolts (1), spring washers (2), small washers (3), tighten by using allen key (4). Do not fully tighten yet.



Step (5): Turn the Table Base assembly upside down. Attach Table Base assembly to Table Top (A), by inserting flat washer (5), spring washer (2), long bolt (7) and tighten by allen key (4). Do not fully tighten yet.



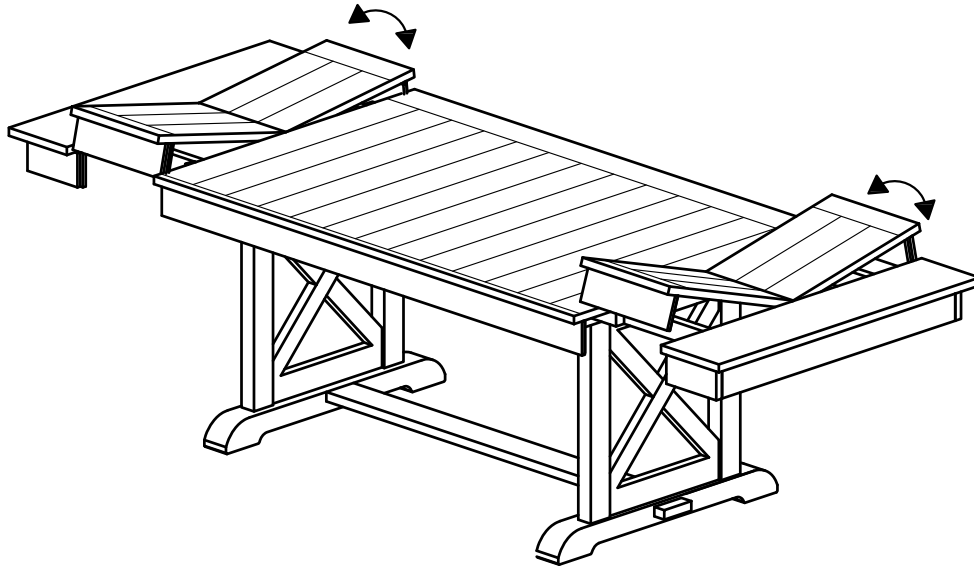
Step (6): Turn the table to the upright position.



WINNERS ONLY[®]

ASSEMBLY INSTRUCTIONS

Step (7): Pull the table open from both sides and flip the leaf into the open position.



Step (8): Install the leaves to the table top ends and secure them with the clamp lock (K). Close the table by gently pushing from both ends of the table and secure the leaves to the table top with the clamp lock (K).

