
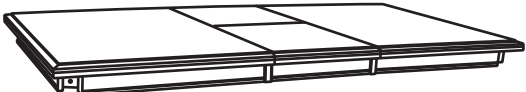



Assembly Instructions

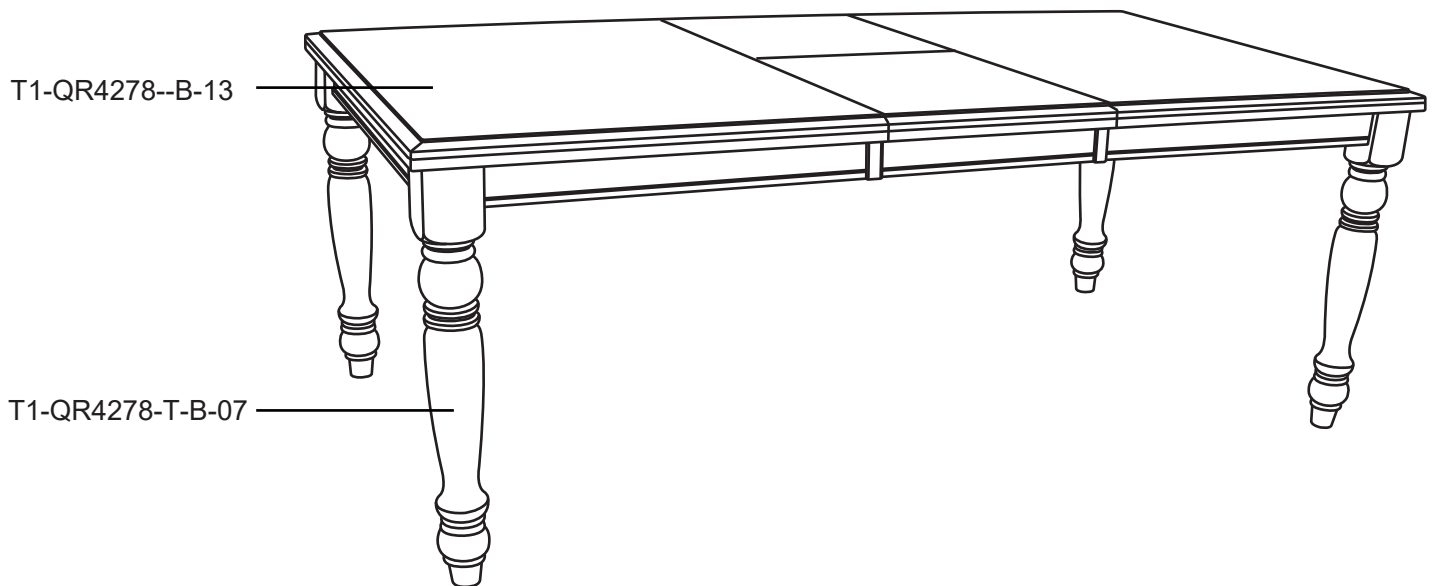
T1-QR4278--B

RECT. SOLID TOP B'FLY EXT. TURNING LEG TABLE

PARTS LIST

PART NO	FIGURE	DESCRIPTION	QTY
T1-QR4278--B-01		Hardware Pack	1 pce
T1-QR4278--B-13		Table Top	1 pce
T1-QR4278-T-B-07		Leg	4 pcs

IMPORTANT NOTE : Please keep all hardware parts out of the reach of children.







Assembly Instructions

T1-QR4278--B

RECT. SOLID TOP B'FLY EXT. TURNING LEG TABLE

HARDWARE PARTS :

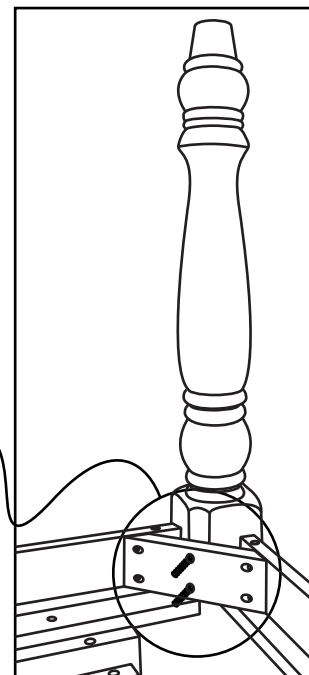
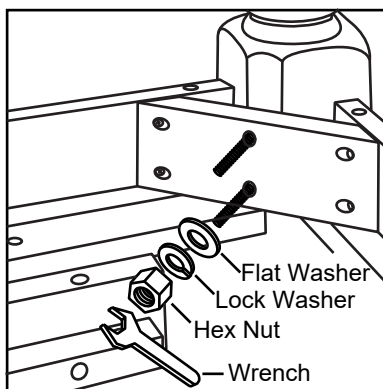
			
Hex Nut 8 pcs	Lock Washer 8 pcs	Flat Washer 8 pcs	Wrench 1 pc

NOTE: The unit should be assembled by 2 or more people.

①

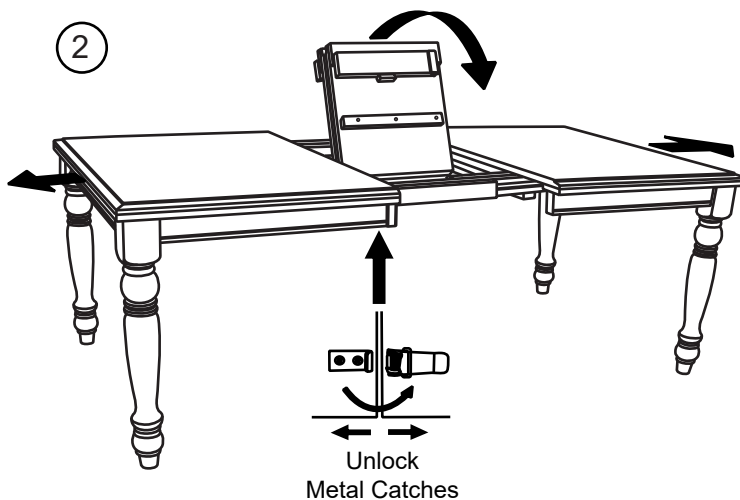
ASSEMBLY

- 1) Turn the Table Top upside down on a protective surface such as carpet or other soft material. Place the leg to corner of Apron, then tighten the **Flat Washer**, **Lock Washer** and **Hex Nut** using the **Wrench** provided. Repeat the same for the other legs. Set the Table upright on its legs.

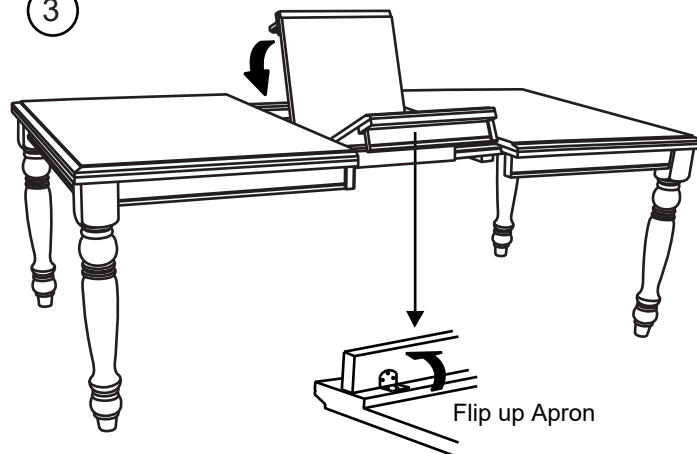


- 2) Unlock the metal catches underneath the table and pull the table top wide open equally from both ends. Lift both leaves from the compartment.
- 3) Flip up the aprons, unfold leaf and place the leaf on the Table Top surface carefully.
- 4) Push table top from both ends to close. Lock the metal catches underneath the table.

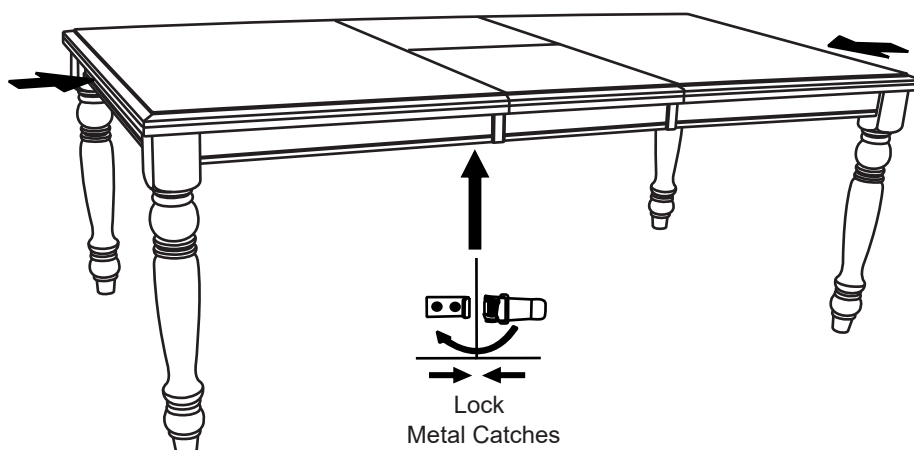
②



③



④



IMPORTANT NOTE :

~ Please keep all hardware out of the reach of children.

CARE INSTRUCTION

~ Be sure to use the same type of polish consistently. Your furniture will appear cloudy or streaky if oil based or wax based polishes are interchanged.
~ Spray your furniture surface evenly. Wipe in a circular motion with a soft clean cloth.