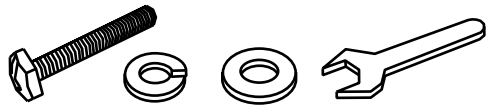

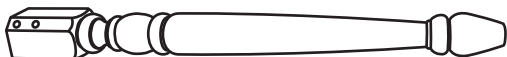


Assembly Instructions

T1-QR3636-B

SQUARE SOLID FIXED TOP COUNTER HEIGHT TABLE

PARTS LIST

PART NO	FIGURE	DESCRIPTION	Q'TY
DQT13636-01		Hardware Bag	1 Pc
DQT13636-13		Table Top	1 Pc
DQT13636-07		Leg	4 Pcs

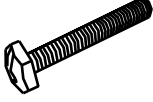


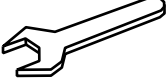


Assembly Instructions

T1-QR3636-B

SQUARE SOLID FIXED TOP COUNTER HEIGHT TABLE

HARDWARE PARTS :

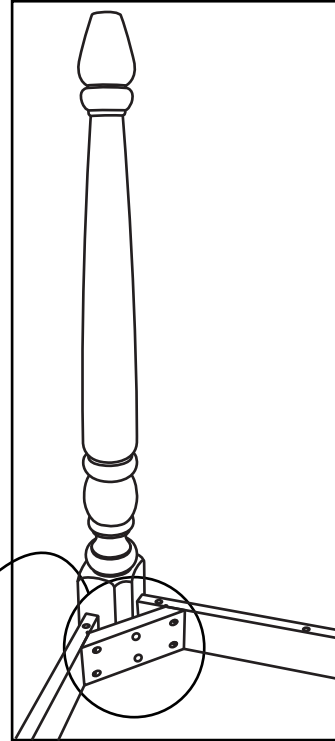
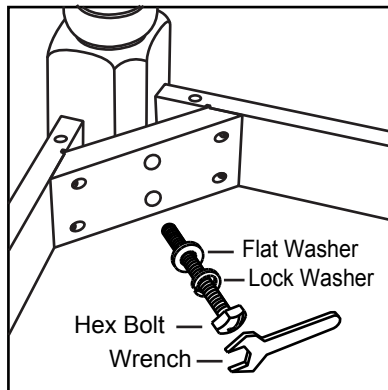
			
5/16"x2" Hex Bolt 8 pcs	5/16" Lock Washer 8 pcs	5/16"x22x1.2mm Flat Washer 8 pcs	Wrench 1 pc

NOTE: The unit should be assembled by 2 or more people.

ASSEMBLY

STEP 1

Turn the Table Top upside down on a protective surface such as carpet or other soft material. Place the leg to corner of Apron, then tighten the **Flat Washer**, **Lock Washer** and **Hex Bolt** using the **Wrench** provided. Repeat the same for the other legs.



STEP 2

Set table upright on its legs.



IMPORTANT NOTE :

~ Please keep all hardware out of the reach of children.

CARE INSTRUCTION

~ Be sure to use the same type of polish consistently. Your furniture will appear cloudy or streaky if oil based or wax based polishes are interchanged.
~ Spray your furniture surface evenly. Wipe in a circular motion with a soft clean cloth.