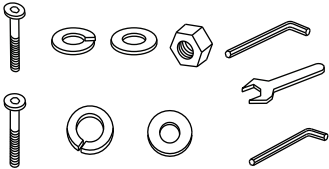
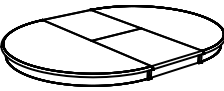
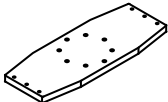
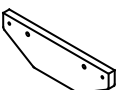
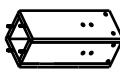




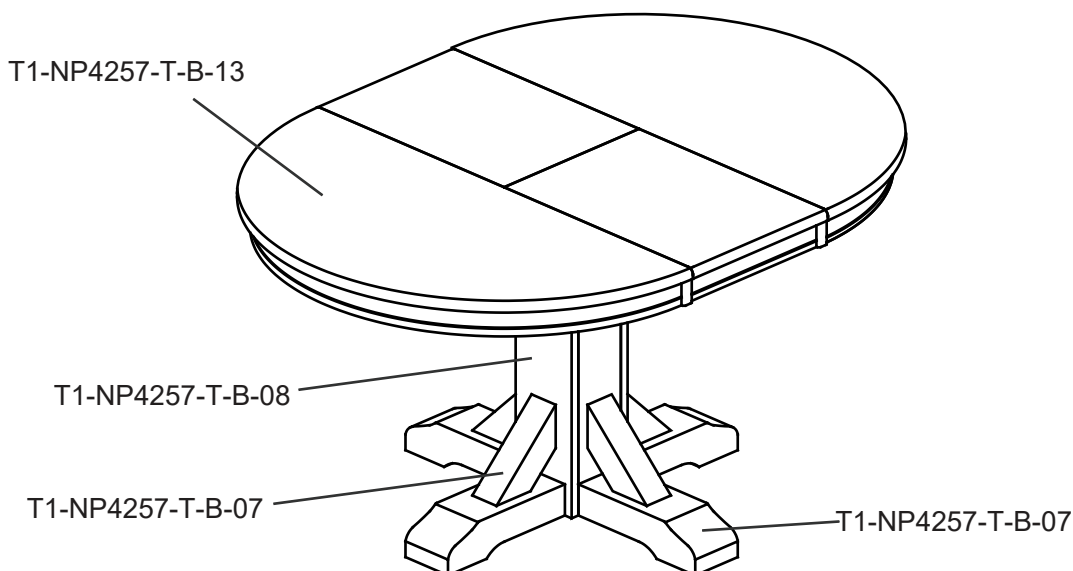
Assembly Instructions

T1-NP4257-O SINGLE PEDESTAL TABLE WITH B"FLY LEAF

PARTS LIST

PART NO	FIGURE	DESCRIPTION	QTY
T1-NP4257-T-B-01		Hardware Pack	1 pce
T1-NP4257-T-B-13		Table Top	1 pce
T1-NP4257-T-B-18		Mounting Plate	1 pce
T1-NP4257-T-B-19		Side Panel	2 pcs
T1-NP4257-T-B-08		Pedestal Stand	1 pce
T1-NP4257-T-B-07		Pedestal Leg #1	4 pcs
T1-NP4257-T-B-07		Pedestal Leg #2	4 pcs

IMPORTANT NOTE : Please keep all hardware parts out of the reach of children.



Assembly Instructions

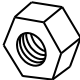









T1-NP4257-O

SINGLE PEDESTAL TABLE WITH B"FLY LEAF

Reminders :

- Two people are needed for assembly.
- Use only hardware supplied.
- Do not over tighten bolts.
- This item may require periodic tightening.

HARDWARE PART :

									
Hex Nut 16 pcs	Lock Washer (Large) 20 pcs	Flat Washer (Large) 20 pcs	Wrench 1 pce	JCBC Bolt 8 pcs	JCBB Bolt 4 pcs	Lock Washer (Small) 8 pcs	Flat Washer (Small) 8 pcs	Allen Key (M4) 1 pce	Allen Key (M5) 1 pce

ASSEMBLY :

STEP 1

- 1.1-Turn the Table Pedestal stand upside down. Attached the base pedestal leg #1 to pedestal leg #2 using the provided hardware as shown on Fig.1.
- 1.2-Attached the this Assemble base Legs (1&2) to the pedestal stand with the provided hardware as shown on Fig 1.

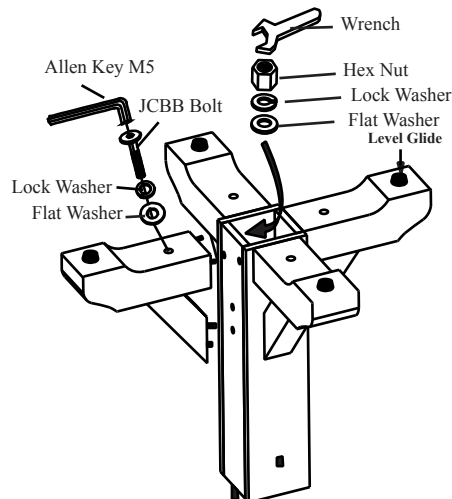


Fig.1
Base Assembly

STEP 2

- 2.1- Position the table top upside down on a smooth, protective surface such as carpet. Install the side panel and mounting plate by using the supply hardware as shown on Fig.2

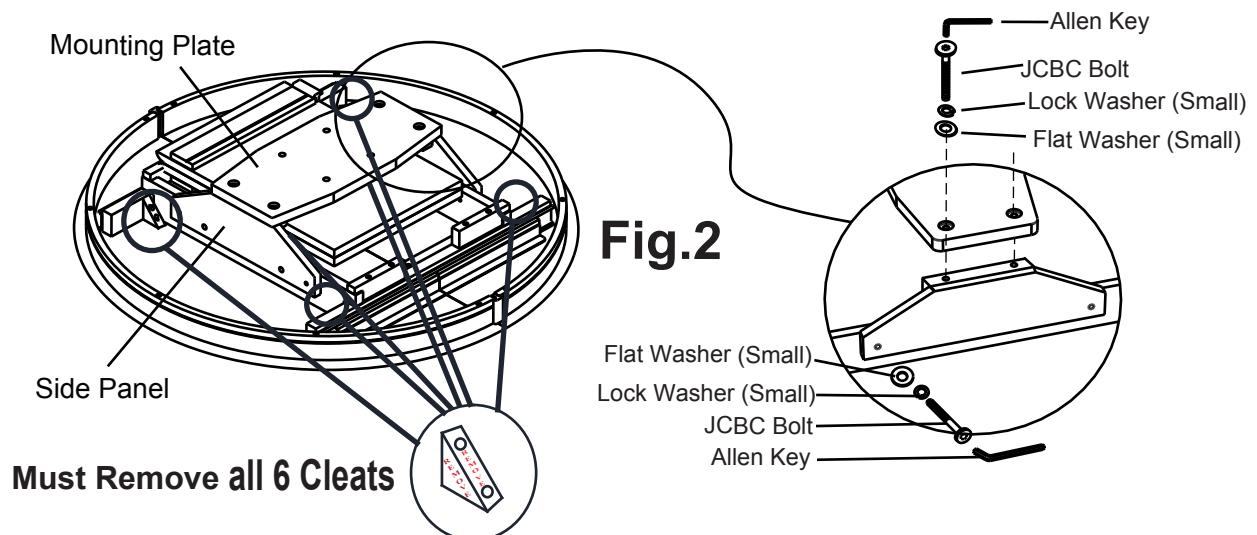


Fig.2

Assembly Instructions

T1-NP4257-O

SINGLE PEDESTAL TABLE WITH B"FLY LEAF

ASSEMBLY :

STEP 3

3.1- Unlock the metal catches from underneath the table Top and pull the table from both ends. Attached base assembly to the table top mounting plate using the supply hardware as shown on Fig.3

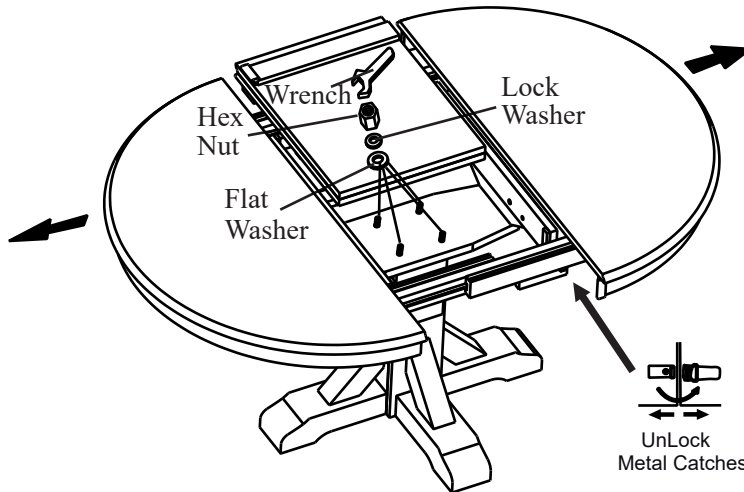
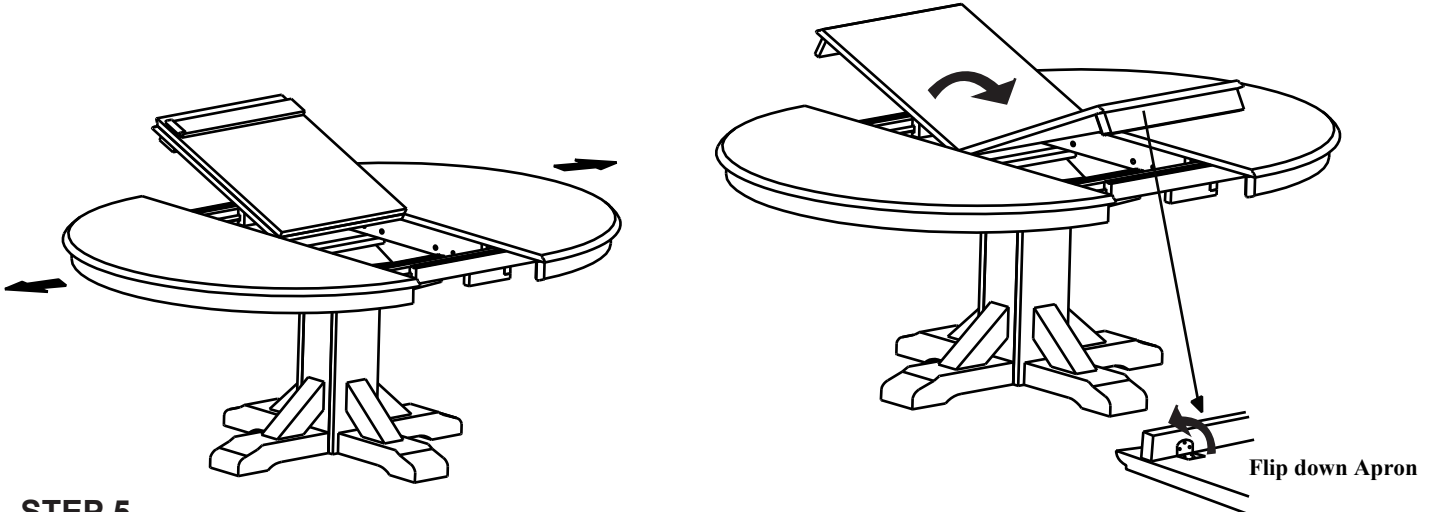


Fig.3

STEP 4

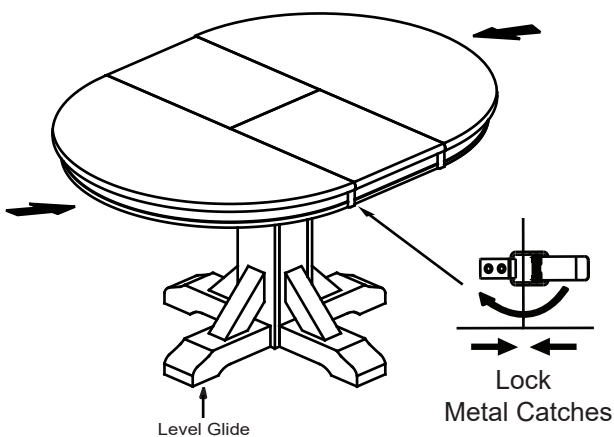
4.1-Lift both leaves from the compartment.

4.2-Flip up the aprons and unfold leaf and place the leaf on the Table Top surface carefully.



STEP 5

5.1-Push Table Top from both ends to close.Lock the metal catches underneath the table.



IMPORTANT NOTE :

~ Please keep all hardware out of the reach of children.

CARE INSTRUCTION

~ Be sure to use the same type of polish consistently. Your furniture will appear cloudy or streaky if oil based or wax based polishes are interchanged.
~ Spray your furniture surface evenly. Wipe in a circular motion with a soft clean cloth.