

# WINNERS

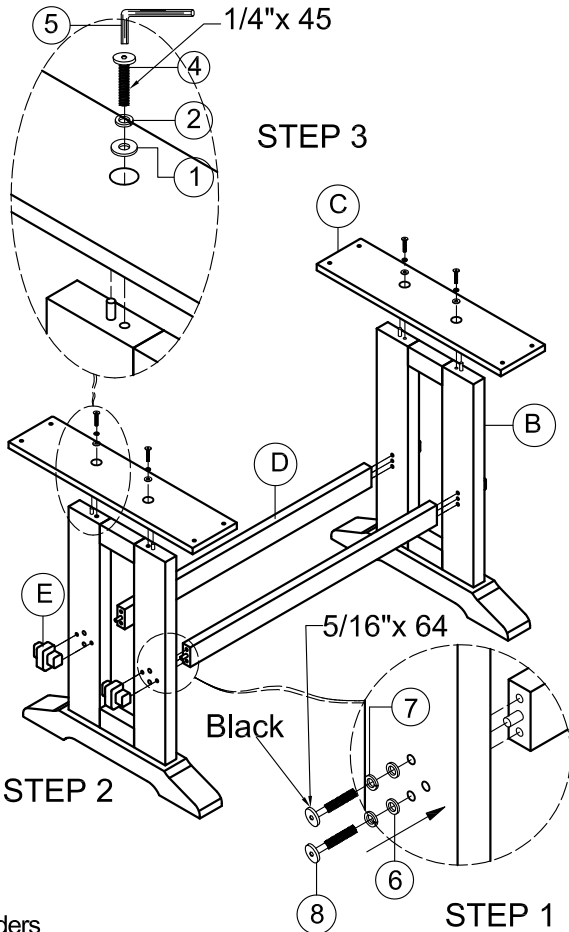
ONLY INC.

## ASSEMBLY INSTRUCTIONS

ITEM NO : DMG4492

T1-MO4492- -O

Thank you for purchasing this quality product . Be sure to check all packaging material carefully for small parts that may have come loose inside the carton during shipment .



### Components List :

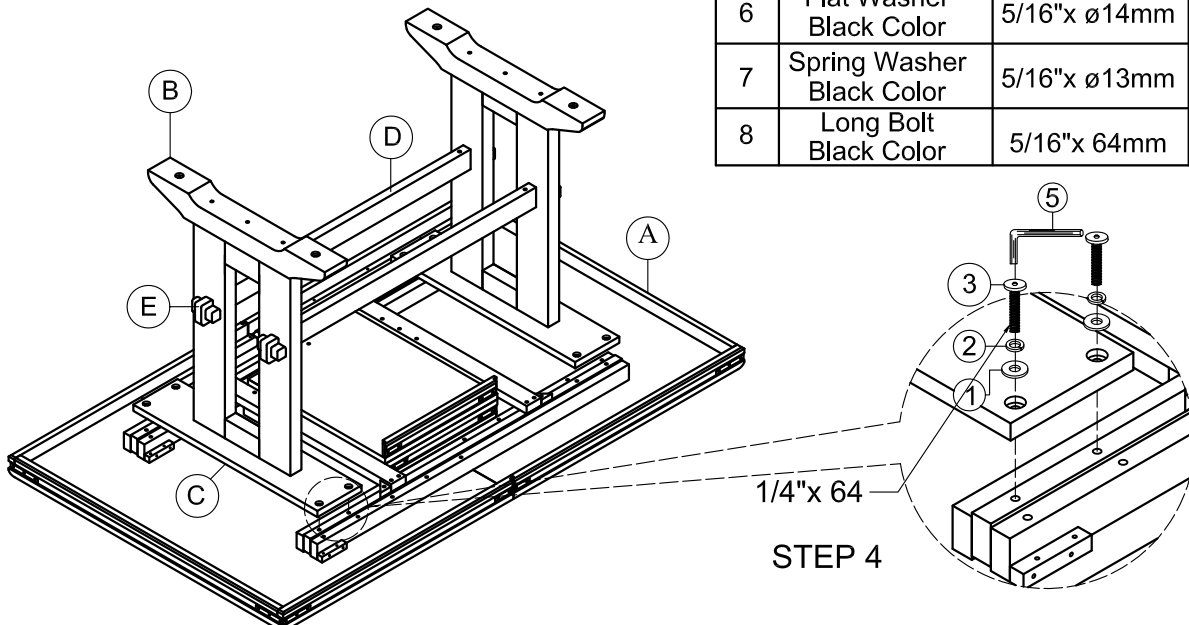
NO	DESCRIPTION	SKETCH	QTY
A	Table Top		1pc
B	Table Leg		2pcs
C	Mounting Plate		2pcs
D	Trestle		2pcs
E	Cap		4pcs

### Hardware List :

NO	DESCRIPTION	SIZE	SKETCH	QTY
1	Flat Washer	5/16"x $\varnothing$ 19mm		12pcs
2	Spring Washer	5/16"x $\varnothing$ 13mm		12pcs
3	Long Bolt	1/4"x 64mm		8pcs
4	Short Bolt	1/4"x 45mm		4pcs
5	Allen Key	58x 23x 4mm		1pc
6	Flat Washer Black Color	5/16"x $\varnothing$ 14mm		8pcs
7	Spring Washer Black Color	5/16"x $\varnothing$ 13mm		8pcs
8	Long Bolt Black Color	5/16"x 64mm		8pcs

#### Reminders

1. Use only the hardware supplied.
2. Once the table is finished, level and tighten all the bolts.
3. Do not over-tighten bolts.
4. This item may require periodic tightening.



# WINNERS

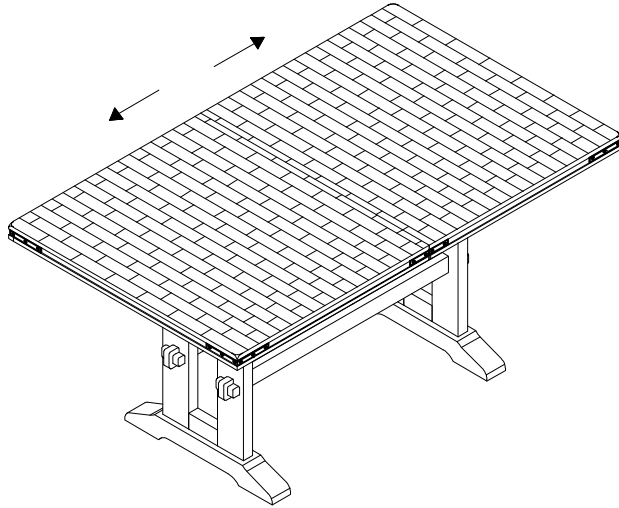
ONLY INC.

## ASSEMBLY INSTRUCTIONS

ITEM NO : DMG4492

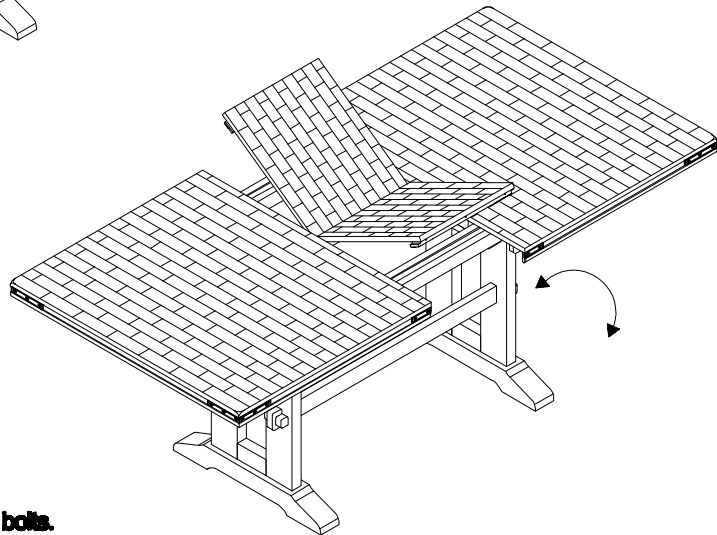
T1-MO4492- -O

Thank you for purchasing this quality product . Be sure to check all packaging material carefully for small parts that may have come loose inside the carton during shipment .



### STEP 5

Pull the table top wide open from both ends.

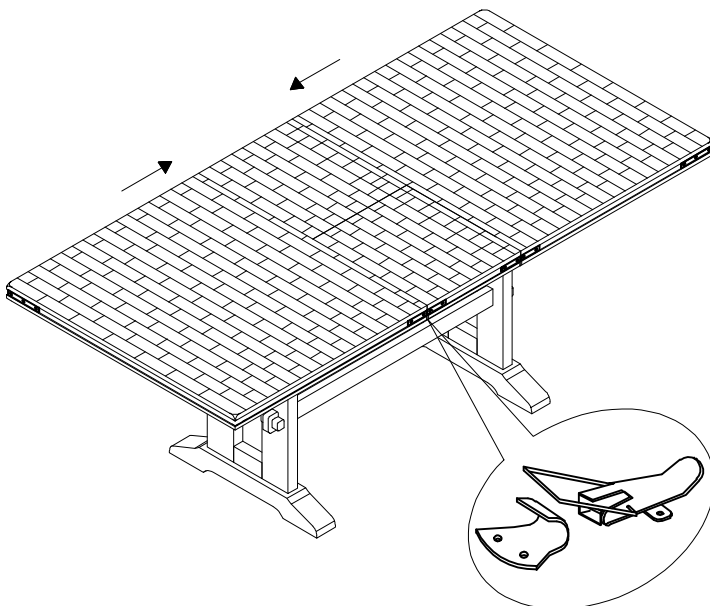


### STEP 6

Lift both leaves from the compartment and place them on the surface carefully

### Reminders

1. Use only the hardware supplied.
2. Once the table is finished, level and tighten all the bolts.
3. Do not over-tighten bolts.
4. This item may require periodic tightening.



### STEP 7

Push the table top from both ends to close the gap and lock from underneath the table

MADE IN VIETNAM