

WINNERS

ONLY INC.



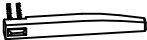



ASSEMBLY INSTRUCTIONS

ITEM NO : C1-ZH450S- -O

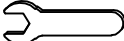






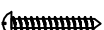
Thank you for purchasing this quality product . Be sure to check all packaging material carefully for small parts that may have come loose inside the carton during shipment .

"Hardware is attached underneath the seat bottom"

Components List :

- | | | |
|----------------------|---|-----|
| A. Back Frame |  | 1pc |
| B. Seat Frame |  | 1pc |
| C. Front Leg (Left) |  | 1pc |
| D. Front Leg (Right) |  | 1pc |
| E. Side rail (Left) |  | 1pc |
| F. Side rail (Right) |  | 1pc |

Hardware List :

- | | | |
|--|---|-------|
| 1. Wrench 12x75mm |  | 1pc |
| 2. Allen Key 4x58mm |  | 1pc |
| 3. Bolt 1/4"x38mm |  | 3pcs |
| 4. Bolt 1/4"x85mm |  | 4pcs |
| 5. Hex-Nut 5/16" |  | 4pcs |
| 6. Spring Washer $\phi 13 \times 5/16"$ |  | 11pcs |
| 7. Flat Washer $\phi 19 \times 5/16"$ |  | 11pcs |
| 8. Wood Screw $\phi 8 \times 50 \text{mm}$ |  | 4pcs |

Reminders

1. Use only the hardware supplied.
2. Once the chair is finished, level and tighten all the bolts.
3. Do not over-tighten bolts.
4. This item may require periodic tightening.

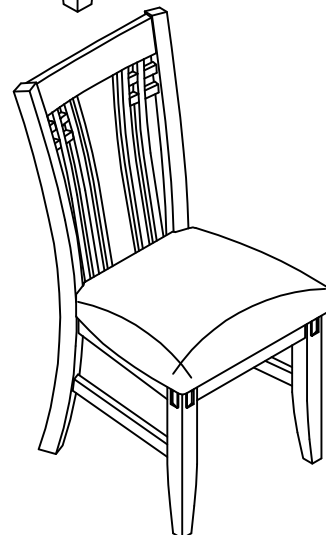
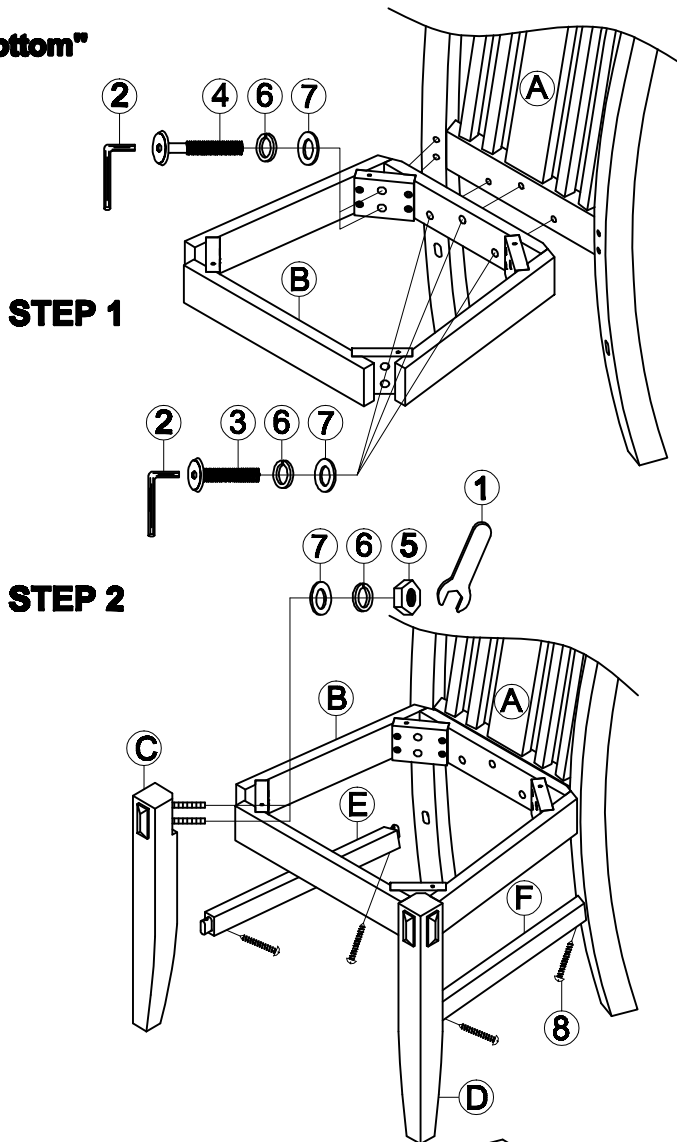
NOTE : Hardware pack is located underneath the seat frame (B)

Step1: Attach the seat frame (B) to Back frame (A) by using flat washer (7), spring washer (6) and bolt (3&4).

Step2: Attach Left and Right Side Rails (E&F) to Back frame(A) using Wood Screws (8) through pre-drilled holes of Side Rails (E&F) and Back frame (A). Attach the assembled Front Leg (C&D) to Seat Frame (B) by using flat washers(7), spring washers (6) and hex-nut(5). Attach Front Legs (C&D) to the Left and Right Side Rails (E&F) using Wood Screws (8) through pre-drilled holes on the Left and Right Side Rails (E&F).

Assembly is now complete

Thank you for choosing this product.



MADE IN VIETNAM