

WINNERS ONLY®

ASSEMBLY INSTRUCTIONS

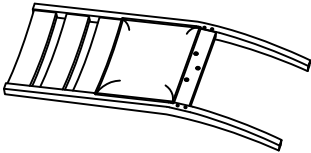
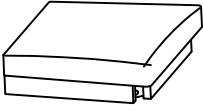
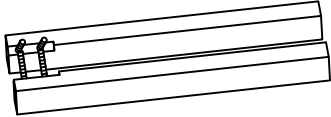
PROD. NO : C1-VN104SN- -X

Thank you for purchasing this quality product . Be sure to check all packaging material carefully for small parts that may have come loose inside the carton during shipment .


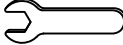





"Hardware is attached underneath the seat bottom"

This product will take 15-20 minutes to assemble

Components List :

NO	DESCRIPTION	SKETCH	QTY
A	Back Rest		1pc
B	Cushion Seat		1pc
C	Front Leg		2pcs

Hardware List :

NO	DESCRIPTION	SIZE	SKETCH	QTY
1	Allen Key	58x23x4 mm		1pc
2	Wrench	12x75 mm		1pc
3	Short Bolt	1/4" x38 mm		3pcs
4	Long Bolt	1/4" x90 mm		4pcs
5	Hex-Nut	5/16" x 12		4pcs
6	Spring Washer	5/16" x Ø12		11pcs
7	Flat Washer	5/16" x Ø19		11pcs

Reminders

1. Use only the hardware supplied.
2. Once the chair is finished, level and tighten all the bolts.
3. Do not over-tighten bolts.
4. This item may require periodic tightening.

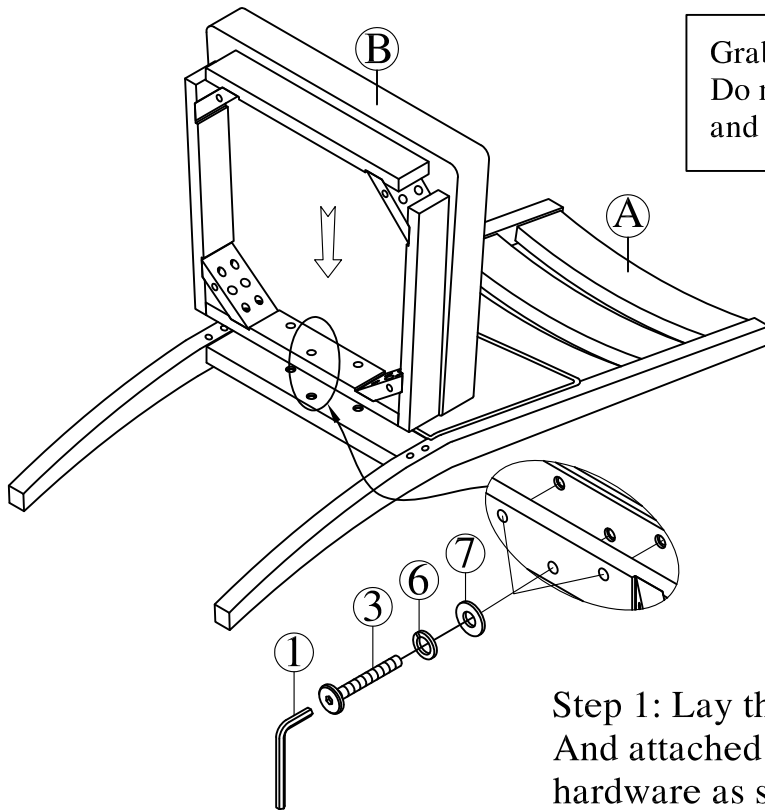
NOTE :

1. Hardware pack is located underneath the Cushion Seat (B).
2. Two or more people are needed for assembly. Please keep all hardware parts out of the reach of children.

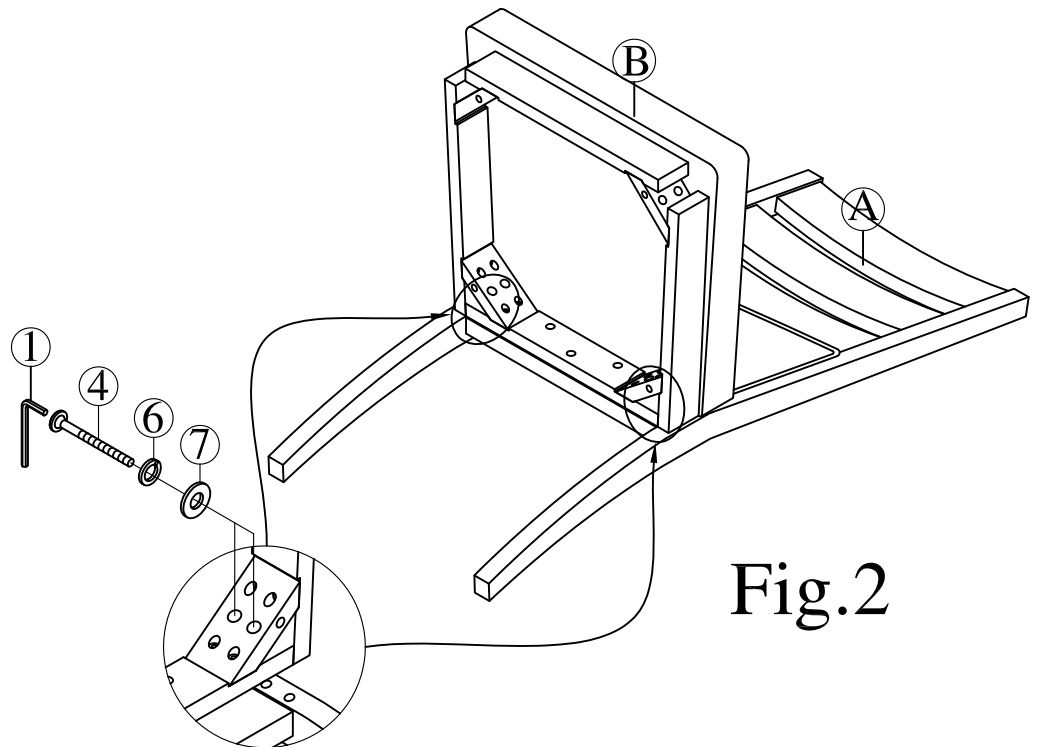
WINNERS ONLY®

ASSEMBLY INSTRUCTIONS

PROD. NO : C1-VN104SN- -X



Step 1: Lay the Backrest (A) on a flat Soft surface,
And attached the Cushion Seat using the provided
hardware as shown on Fig.1 And Fig.2 .



Note: move seat back
and forward to ease
the finding of the hole in
the corner block.

WINNERS ONLY® ASSEMBLY INSTRUCTIONS

PROD. NO : C1-VN104SN- -X

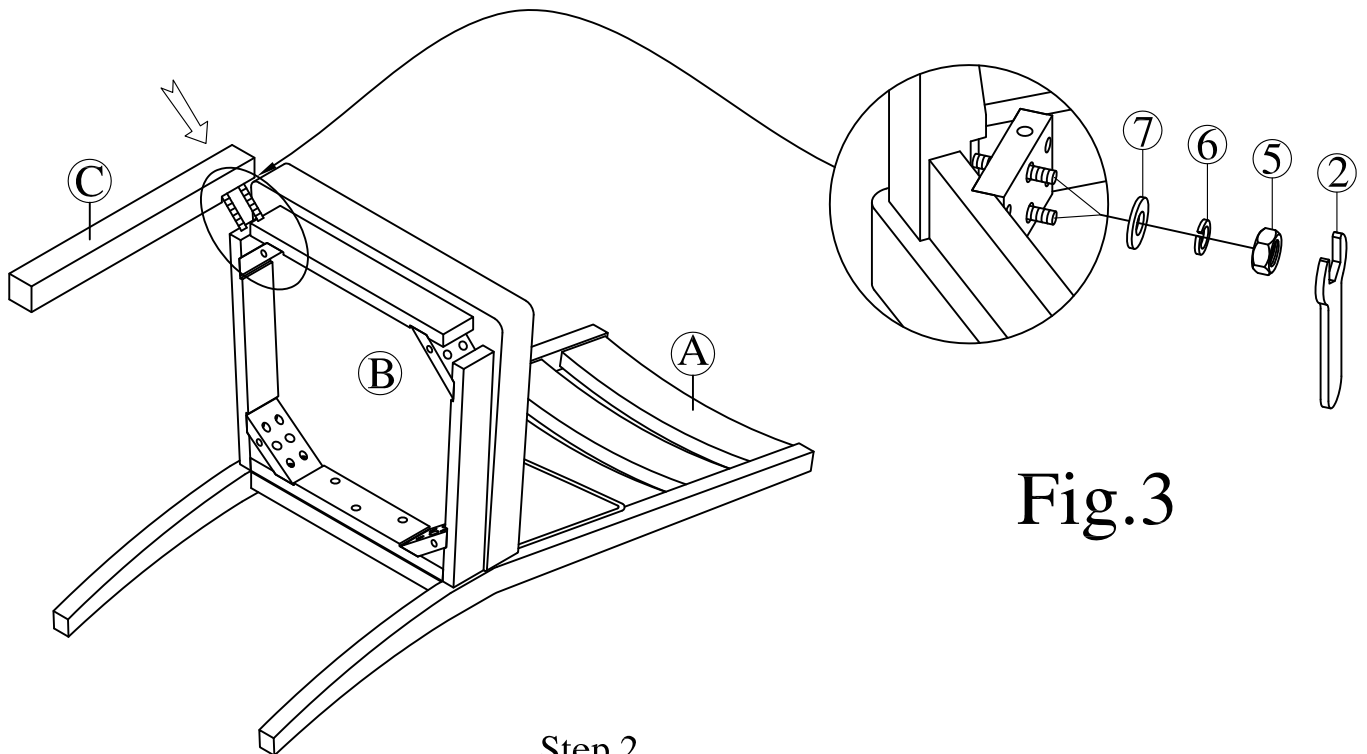
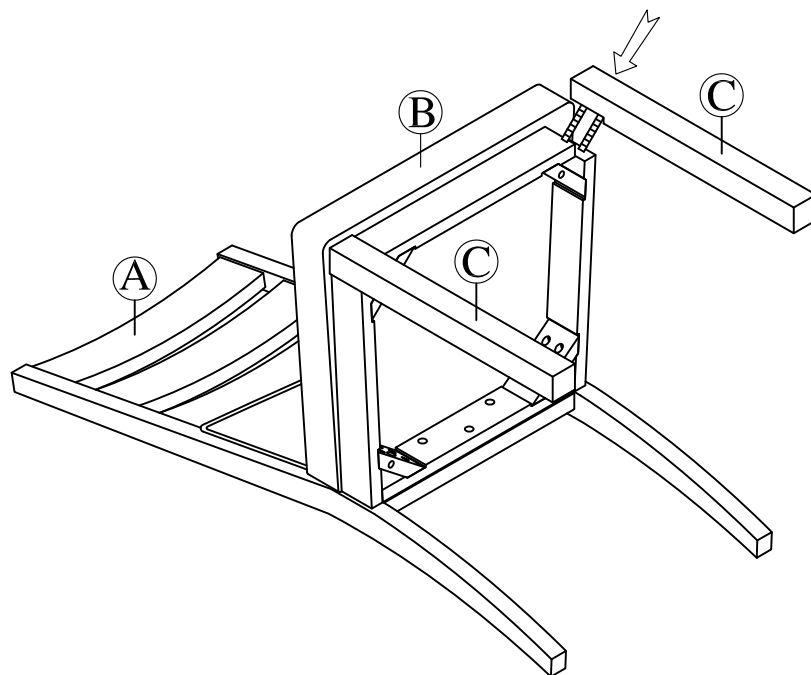


Fig.3

Step 2
Attached Front legs to Cushion Seat using the provided hardware as shown in Fig.3 and Fig.4 .

Fig.4



WINNERS ONLY®

ASSEMBLY INSTRUCTIONS

PROD. NO : C1-VN104SN- -X

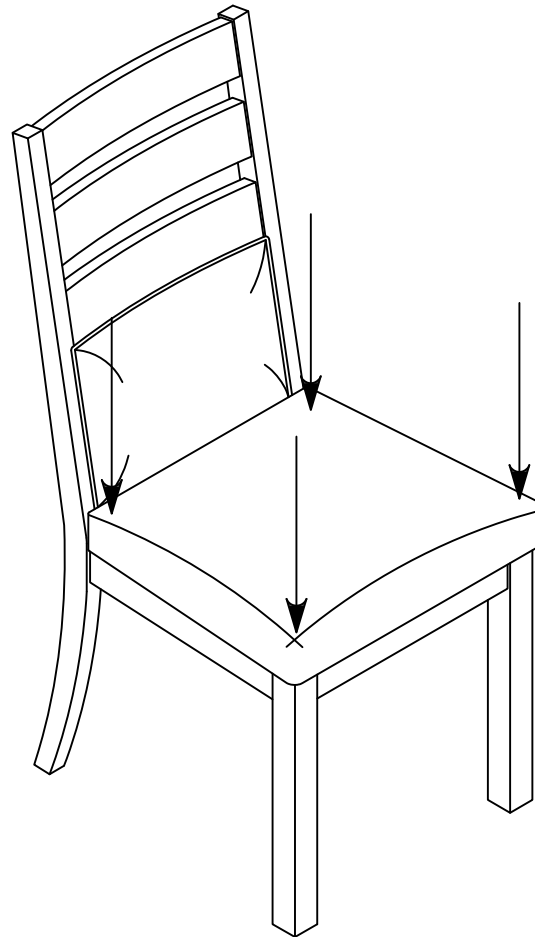


Fig.5

Step 3: Place the loosely assembled chair on a hard flat surface and apply gentle downward pressure on the seat. As shown on Fig.5. Once the chair is balanced and leveled, fully tighten all bolts.

Assembly is now Complete