

WINNERS ONLY®




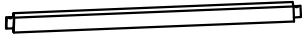

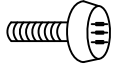
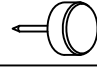
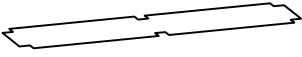
ASSEMBLY INSTRUCTIONS

PROD. NO : C1-SN45524- -X

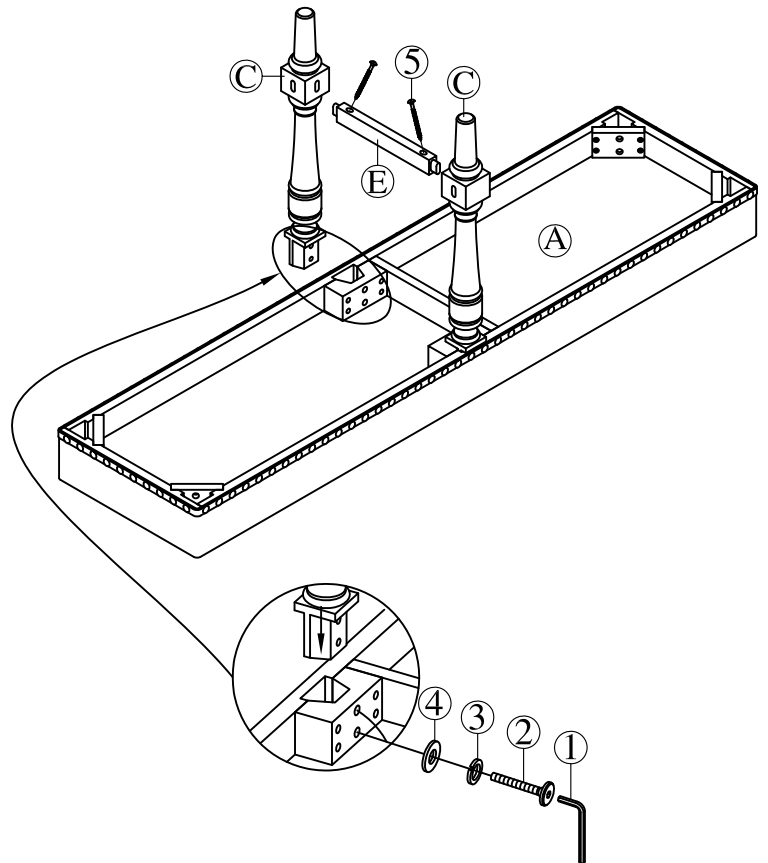
Thank you for purchasing this quality product . Be sure to check all packaging material carefully for small parts that may have come loose inside the carton during shipment .

"Hardware is attached underneath the seat bottom"






Components List :

NO	DESCRIPTION	SKETCH	QTY
A	Seat Frame with Cushion		1pc
B	Bench Leg		4pcs
C	Center Leg		2pcs
D	Front Stretchers		4pcs
E	Side Stretchers		3pcs
E	Levelers		2pcs
F	Plastic		4pcs
G	Velcro		1pc

STEP 1



Hardware List :

NO	DESCRIPTION	SIZE	SKETCH	QTY
	Allen Key	58x23x4 mm		1pc
2	Bolt	1/4" x45 mm		12pcs
3	Spring Washer	5/16" x Ø12		12pcs
4	Flat Washer	5/16" x Ø19		12pcs
5	Wood Screw	Ø8 x 50 mm		14pcs

Reminders

1. Use only the hardware supplied.
2. Once the chair is finished, level and tighten all the bolts.
3. Do not over-tighten bolts.
4. This item may require periodic tightening.

NOTE : Two or more people are needed for assembly.

Please keep all hardware parts out of the reach of children.

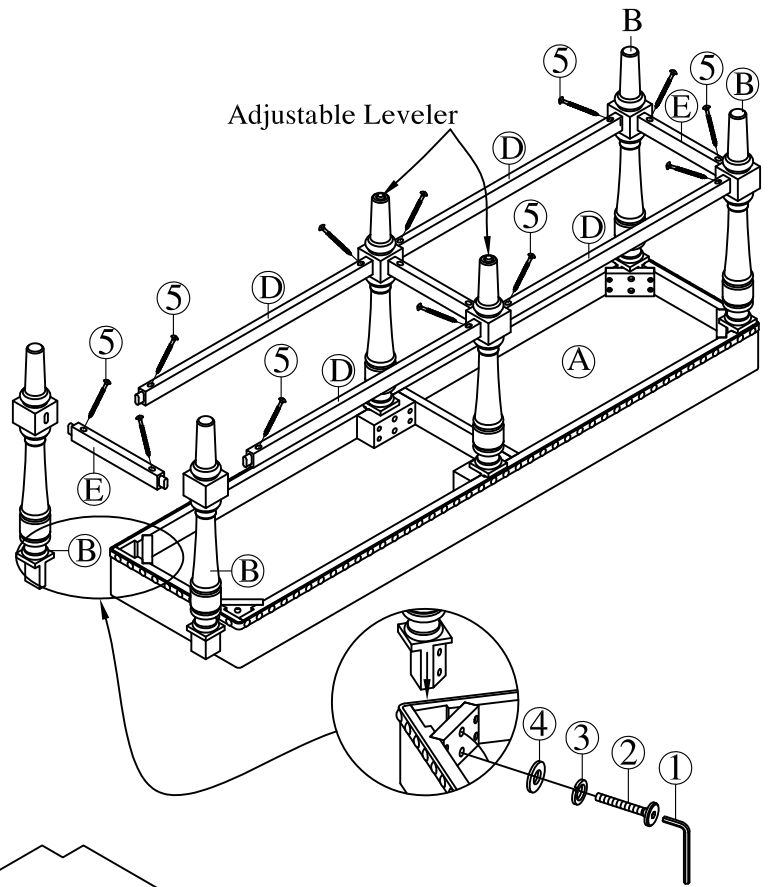
Step 1: Place the Seat Frame with Cushion (A) up side down on the floor with a piece of cloth or carpet underneath to prevent the finish from scratching. Attach the Center Leg (C) to the Seat Frame (A) and secure with Flat Washer (4), Spring Washer (3) and Bolt (2). Tighten Bolt (2) with Allen Key (1). Repeat this step for the remaining that Reinforced Leg. At the same time, attach the Side Stretcher (E) to Center Legs (C), using Wood Screws (5)

WINNERS ONLY®

ASSEMBLY INSTRUCTIONS

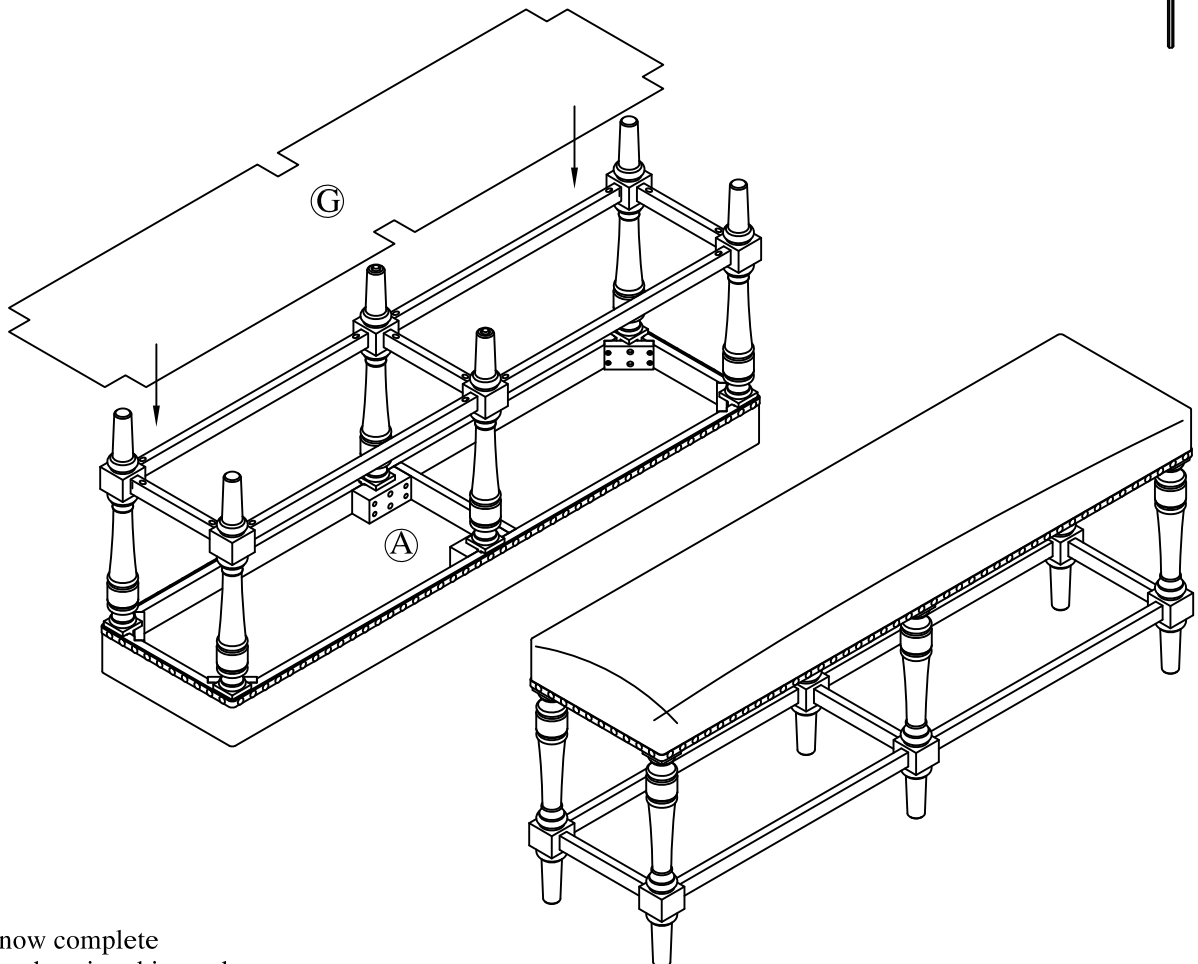
STEP 2

Step 2: Assemble Side Stretchers (E) to Bench Legs (B) using Wood Screw (5). Attach the Front Stretcher (D) to the Center Leg (C) and Bench Leg (B), using Wood Screws (5). At the same time, attach the Bench Leg (B) and Side Stretcher (E) to the Seat Frame corner (A) and secure with Flat Washer (4), Spring Washer (3) and Bolt (2). Tighten Bolt (2) with Allen Key (1). Repeat this step for the remaining Bench Leg, Front Stretcher and Side Stretcher.



STEP 3

Step 3: Attach the Velcro (G) to Seat Frame with Cushion (A)



Assembly is now complete
Thank you for choosing this product.