

ASSEMBLY INSTRUCTION


HARDWARE LIST

ITEM	DESCRIPTION	QTY
A	JCBB SCREW M 6 x 60	8 pcs
B	SPRING WASHER	8 pcs
C	FLAT WASHER	8 pcs
D	ALLEN KEY M 4	1 pc
E	ANTI- TIPPING	1 set

CAUTIONS :

Hardware are to kept out of reach from children.

PART LIST

PART	DESCRIPTION	QTY
LEG		4 pcs

STEP 2

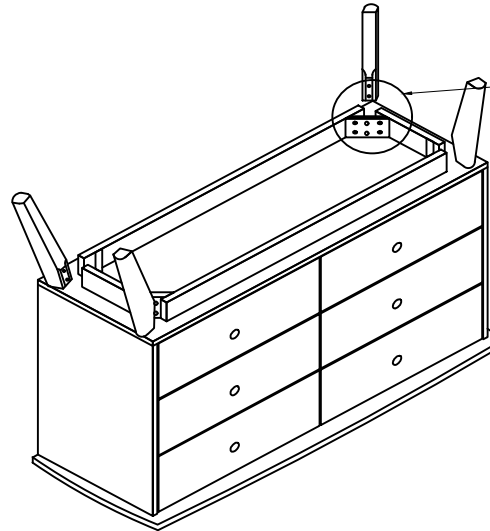
Attach hardware "E" to the wallboard and furniture frame under the top with screw provided.

NOTE

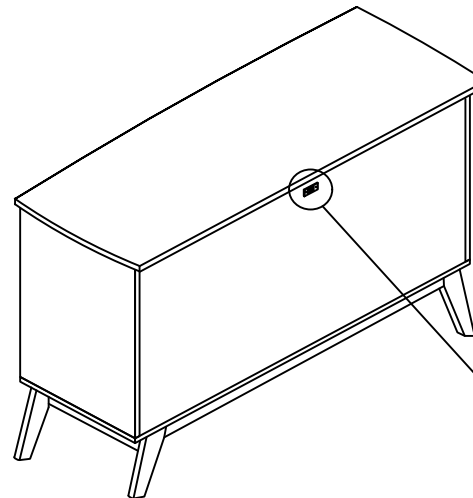
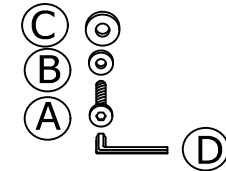
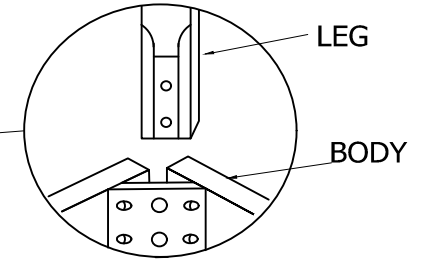
- a) BEFORE ASSEMBLY, PLACE ALL TABLE PARTS ON THE CLEAN AND SOFT SURFACE TO PREVENT SCRATCHEDS.
- b) THIS PRODUCT IS HEAVY , FOR SAFETY PURPOSE , KINDLY ADVISE 2 OR MORE PEOPLE TO ASSEMBLY.

STEP 1

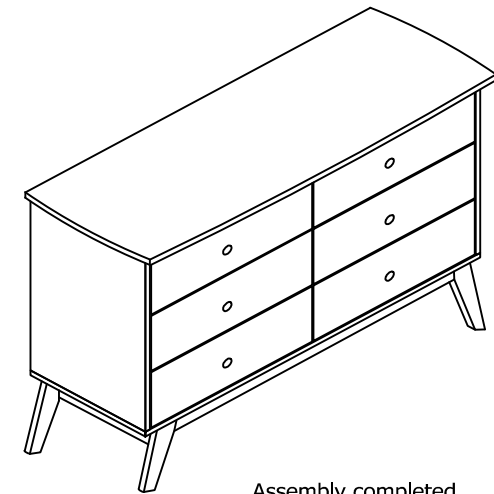
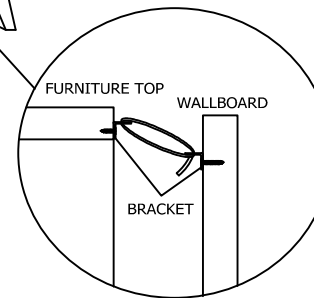
Attach " LEG " to the " BODY " as arrow shown , assembly with hardware " A " with " B " & " C " by using " D " . (DO NOT FULLY TIGHTEN THE SCREW UNTIL ALL ARE IN PLACE)



ITEM : SORRENTO, DRESSER



STEP 2



Assembly completed.