
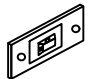


ASSEMBLY INSTRUCTION

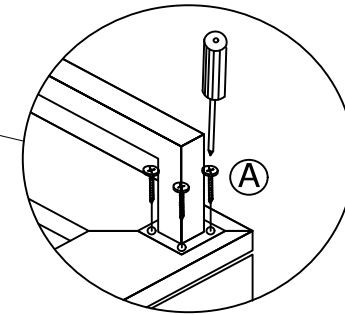
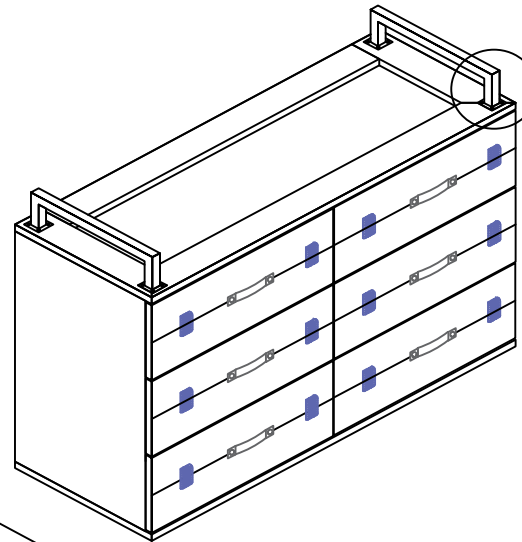
ITEM : SCOTTSDALE 47" DRESSER

HARDWARE LIST

ITEM	DESCRIPTION	QTY
A	SCREW M4 X 16 mm 	16 pcs
B	ANTI- TIPPING 	1 pc

STEP 1

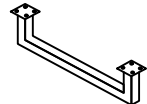
Attach " LEG " to the " BODY " as arrow shown , assembly with hardware " A " by using " screw driver " . (NOT INCLUDE)



CAUTIONS :

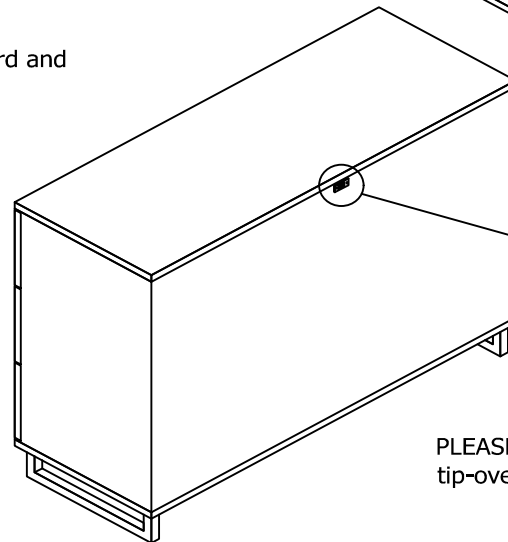
Hardware are to kept out of reach from children.

PART LIST

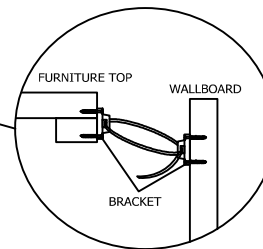
PART	DESCRIPTION	QTY
LEG		2 pcs

STEP 2

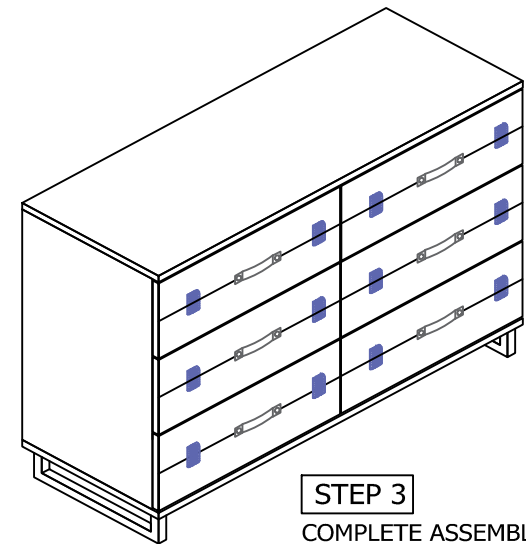
Attach hardware "B" to the wallboard and furniture frame under the top with screw provided.



STEP 2



PLEASE NOTE ; To help prevent the possibility of tip-over, install the tipover restraint provided.



STEP 3

COMPLETE ASSEMBLY.

NOTE

- a) BEFORE ASSEMBLY, PLACE ALL TABLE PARTS ON THE CLEAN AND SOFT SURFACE TO PREVENT SCRATCHEDS.
- b) THIS PRODUCT IS HEAVY , FOR SAFETY PURPOSE , KINDLY ADVISE 2 OR MORE PEOPLE TO ASSEMBLY.