



# ASSEMBLY INSTRUCTION


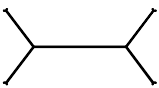
**ITEM : AVALON, DRESSER**

## HARDWARE LIST

ITEM	DESCRIPTION	QTY
A	SCREW M4 X 16 mm 	16 pcs
B	ALLEN KEY M4 	1 pc

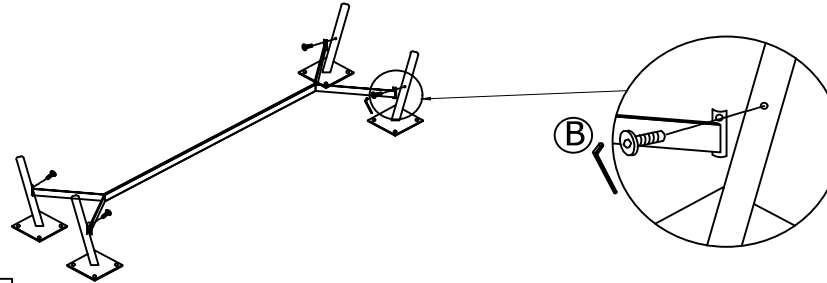
**CAUTIONS :**  
Hardware are to kept out of reach from children.

## PART LIST

PART	DESCRIPTION	QTY
LEG		4 pcs
LEG FRAME		1 pc

### STEP 1

Attach " LEG FRAME " to the " LEG " as arrow shown , assembly by using " ALLEN KEY ".  
(DO NOT FULLY TIGHTEN THE SCREW UNTIL ALL ARE IN PLACE)

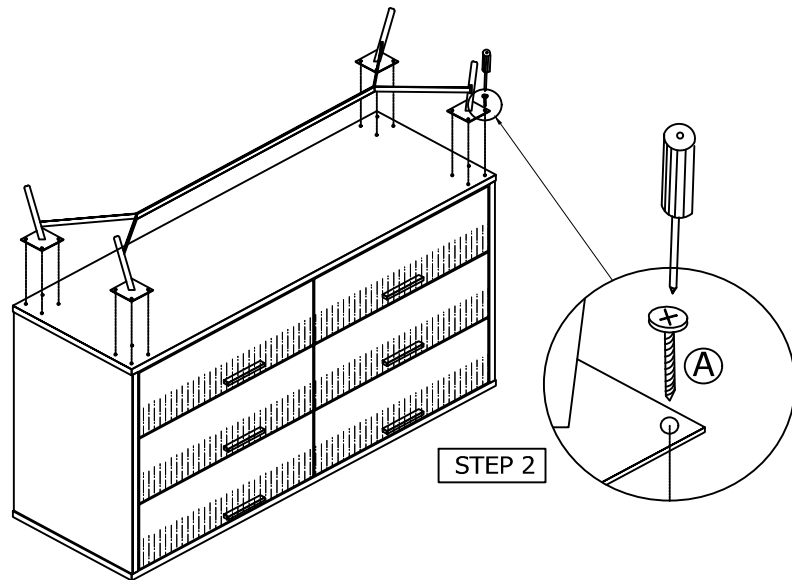


### STEP 2

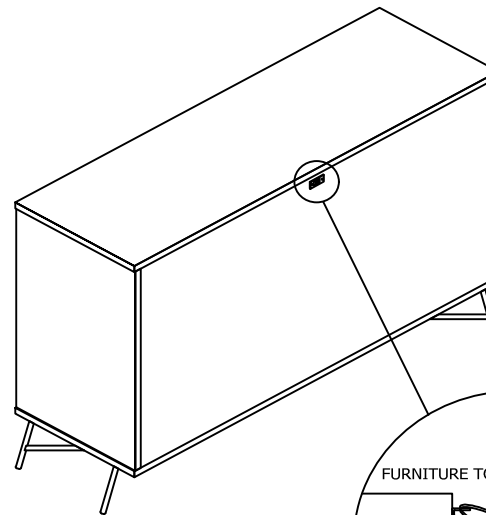
Attach " LEG " to the " BODY " as arrow shown , assembly with hardware " A " by using " screw driver " . ( NOT INCLUDE ). (DO NOT FULLY TIGHTEN THE SCREW UNTIL ALL IN PALCE)

### STEP 3

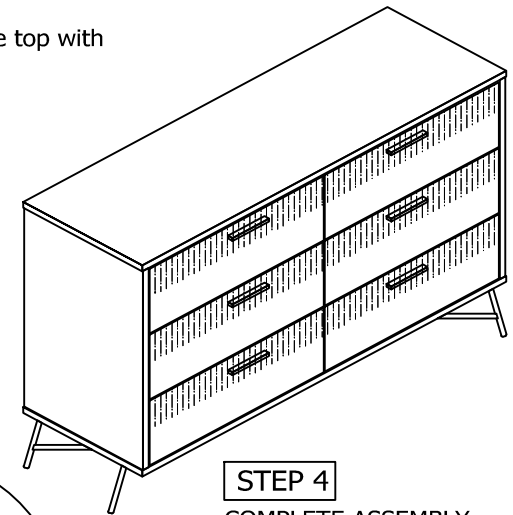
Attach hardware "ANTI TIPPING" to the wallboard and furniture frame under the top with screw provided.



### STEP 2



### STEP 3



### STEP 4

COMPLETE ASSEMBLY.

## NOTE

- a ) BEFORE ASSEMBLY, PLACE ALL TABLE PARTS ON THE CLEAN AND SOFT SURFACE TO PREVENT SCRATCHEDS.
- b ) THIS PRODUCT IS HEAVY , FOR SAFETY PURPOSE , KINDLY ADVISE 2 OR MORE PEOPLE TO ASSEMBLY.

MADE IN MALAYSIA