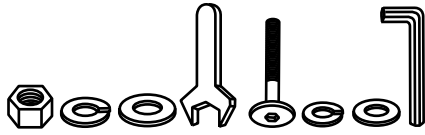
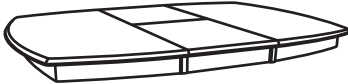
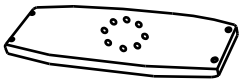





Assembly Instructions

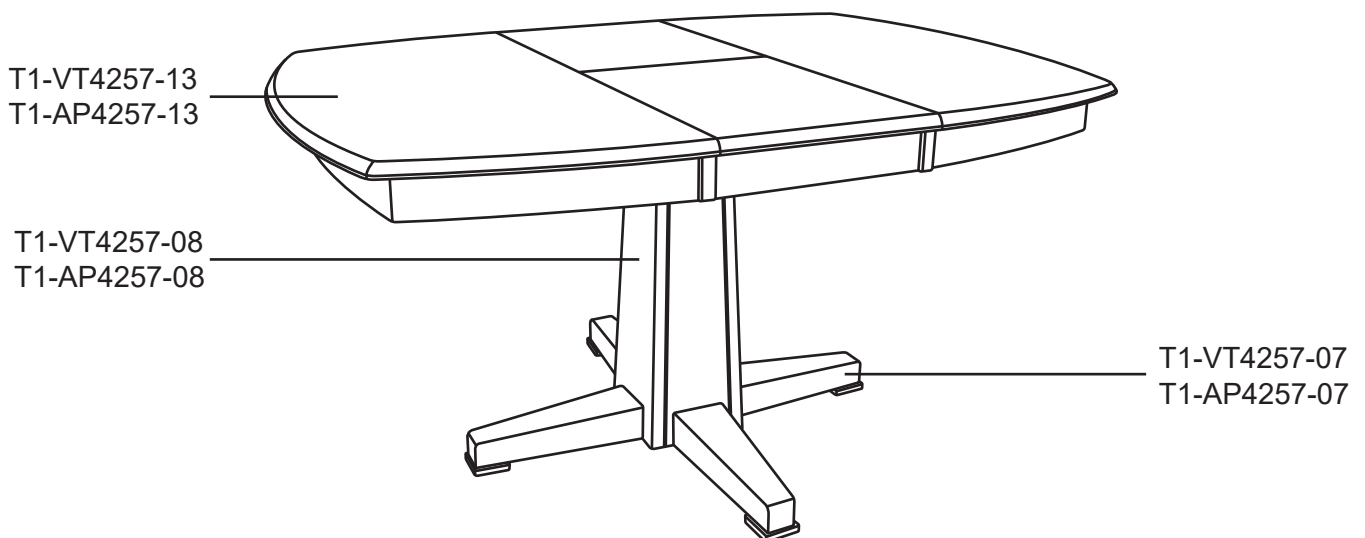
TI-AP4257-G, T1-SF4257-C, T1-VT4257-G

57" PEDESTAL TABLE TOP

PARTS LIST

PART NO	FIGURE	DESCRIPTION	QTY
T1-VT4257-01 T1-AP4257-01		Hardware Pack	1 pce
T1-VT4257-13 T1-AP4257-13		Table Top	1 pce
T1-VT4257-18 T1-AP4257-18		Mounting Plate	1 pce
T1-VT4257-19 T1-AP4257-19		Side Mounting Plate	2 pcs
T1-VT4257-08 T1-AP4257-08		Pedestal Stand	1 pce
T1-VT4257-07 T1-AP4257-07		Pedestal Leg	4 pcs

IMPORTANT NOTE : Please keep all hardware parts out of the reach of children.











Assembly Instructions

TI-VT4257-G, T1-AP4257-G, T1-SF4257-C

57" PEDESTAL TABLE

HARDWARE PART :

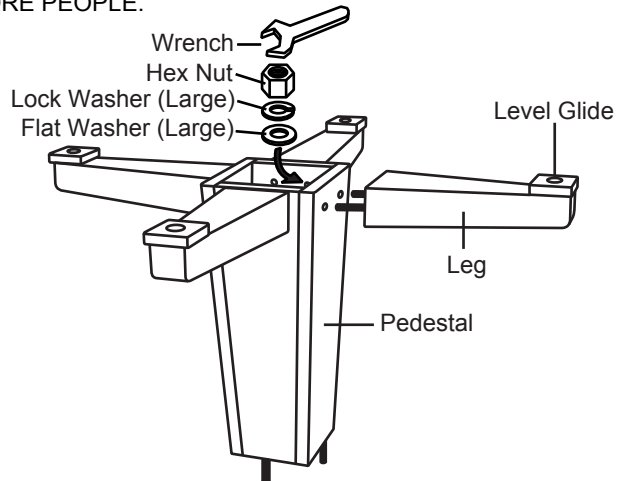
							
Hex Nut 12 pcs	(Large) Lock Washer 12 pcs	(Large) Flat Washer 12 pcs	Wrench 1 pce	JCBC Bolt 8 pcs	(Small) Lock Washer 8 pcs	(Small) Flat Washer 8 pcs	Allen Key 1 pce

NOTE : THE UNIT SHOULD BE ASSEMBLED BY 2 OR MORE PEOPLE.

ASSEMBLY

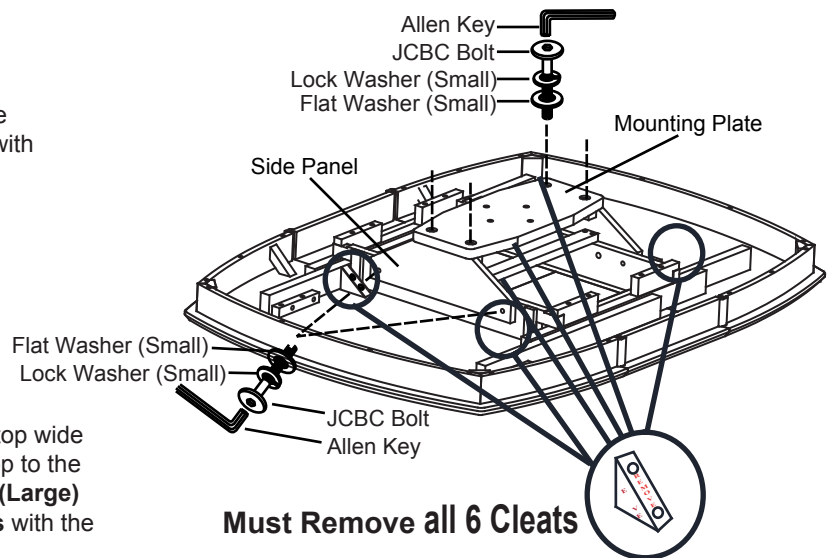
STEP 1

Turn the pedestal upside down. Attach legs by inserting hanger bolts through pre-drilled holes on pedestal. Put a **Flat Washers (Large)**, **Lock Washers (Large)** and **Hex Nut** onto the hanger bolts then tighten with the provided **Wrench**.



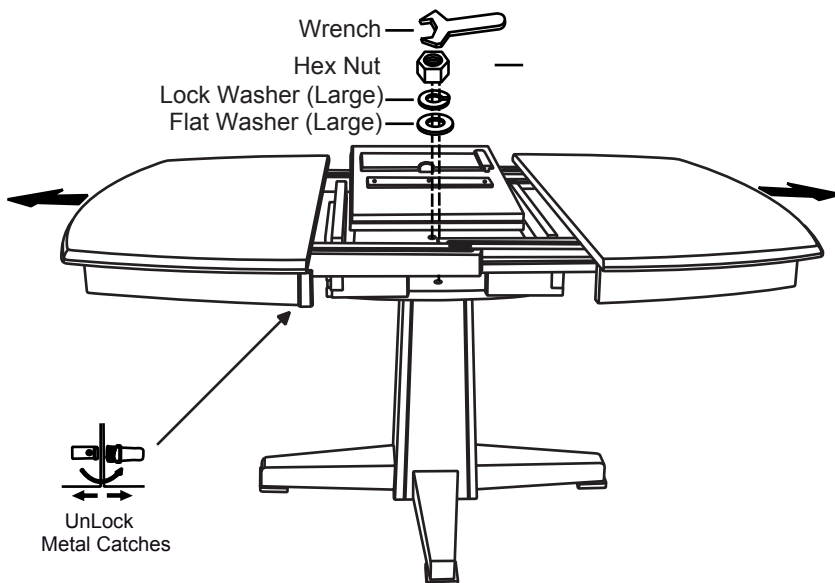
STEP 2

Position the table top upside down on a smooth, protective surface such as carpet. Install the side panel and secure with **Flat Washers (Small)**, **Lock Washers (Small)** and **JCBC Bolt**. Attach Mounting Plate as shown. Secure with **Flat Washers (Small)**, **Lock Washers (Small)** and **JCBC Bolt**, then tighten all **JCBC Bolts** with **Allen Key** provided.



STEP 3

Unlock the hooks underneath the table and pull the table top wide open equally from both ends. Align and attach the table top to the pedestal. Insert a **Flat Washers (Large)**, **Lock Washers (Large)** and **Hex Nuts** onto the hanger bolts. Tighten all **Hex Nuts** with the provided **Wrench**.



IMPORTANT NOTE :

~ Please keep all hardware out of the reach of children.

CARE INSTRUCTION




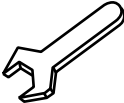
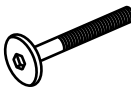



~ Be sure to use the same type of polish consistently. Your furniture will appear cloudy or streaky if oil based or wax based polishes are interchanged.
~ Spray your furniture surface evenly. Wipe in a circular motion with a soft clean cloth.

Assembly Instructions

TI-AP4257-G, T1-SF4257-C, T1-VT4257-G

57" PEDESTAL TABLE TOP

HARDWARE PART :

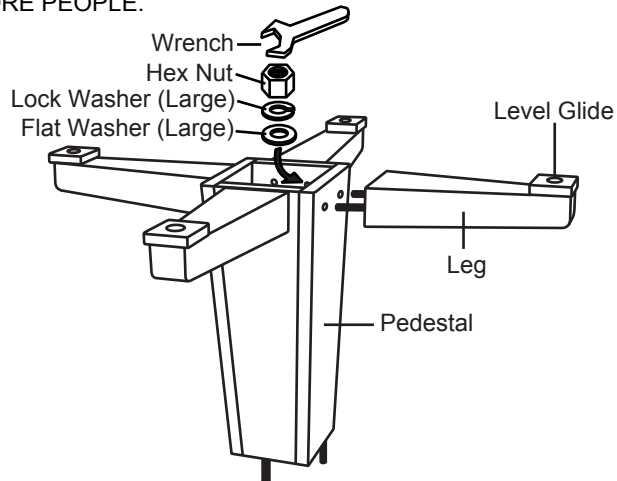
							
Hex Nut 12 pcs	(Large) Lock Washer 12 pcs	(Large) Flat Washer 12 pcs	Wrench 1 pce	JCBC Bolt 8 pcs	(Small) Lock Washer 8 pcs	(Small) Flat Washer 8 pcs	Allen Key 1 pce

NOTE : THE UNIT SHOULD BE ASSEMBLED BY 2 OR MORE PEOPLE.

ASSEMBLY

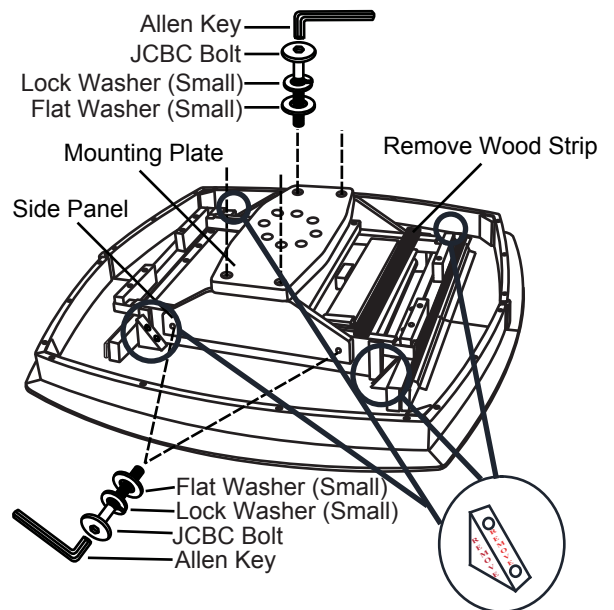
STEP 1

Turn the pedestal upside down. Attach legs by inserting hanger bolts through pre-drilled holes on pedestal. Put a **Flat Washers (Large)**, **Lock Washers (Large)** and **Hex Nut** onto the hanger bolts then tighten with the provided **Wrench**.



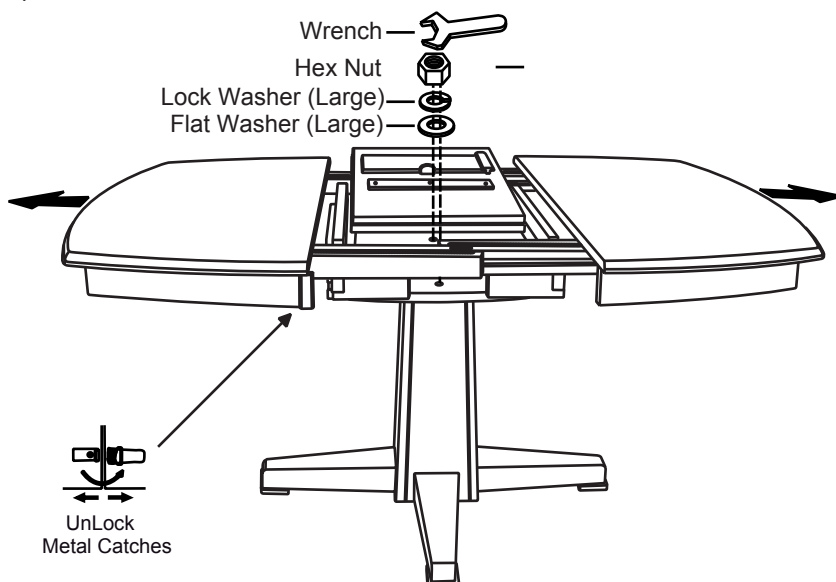
STEP 2

Position the table top upside down on a smooth, protective surface such as carpet. **Remove and discard the temporary Wood Strip**. Install the side panel and secure with **Flat Washers (Small)**, **Lock Washers (Small)** and **JCBC Bolt**. Attach Mounting Plate as shown. Secure with **Flat Washers (Small)**, **Lock Washers (Small)** and **JCBC Bolt**, then tighten all **JCBC Bolts** with Allen Key provided.



STEP 3

Unlock the hooks underneath the table and pull the table top wide open equally from both ends. Align and attach the table top to the pedestal. Insert a **Flat Washers (Large)**, **Lock Washers (Large)** and **Hex Nuts** onto the hanger bolts. Tighten all **Hex Nuts** with the provided **Wrench**.



Must Remove all 4 Cleats

IMPORTANT NOTE :

~ Please keep all hardware out of the reach of children.

CARE INSTRUCTION

~ Be sure to use the same type of polish consistently. Your furniture will appear cloudy or streaky if oil based or wax based polishes are interchanged.
~ Spray your furniture surface evenly. Wipe in a circular motion with a soft clean cloth.

IMPORTANT NOTE:

Storing and opening the leaf requires 2 people.

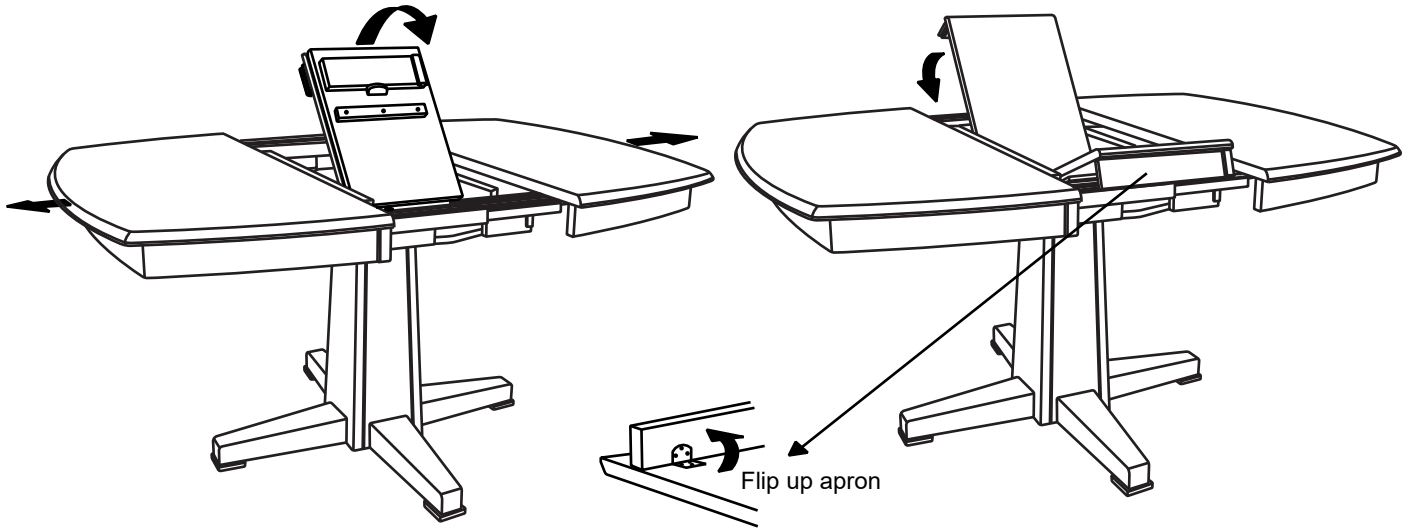
Assembly Instructions

TI-AP4257-G, T1-SF4257-C, T1-VT4257-G

57" PEDESTAL TABLE TOP

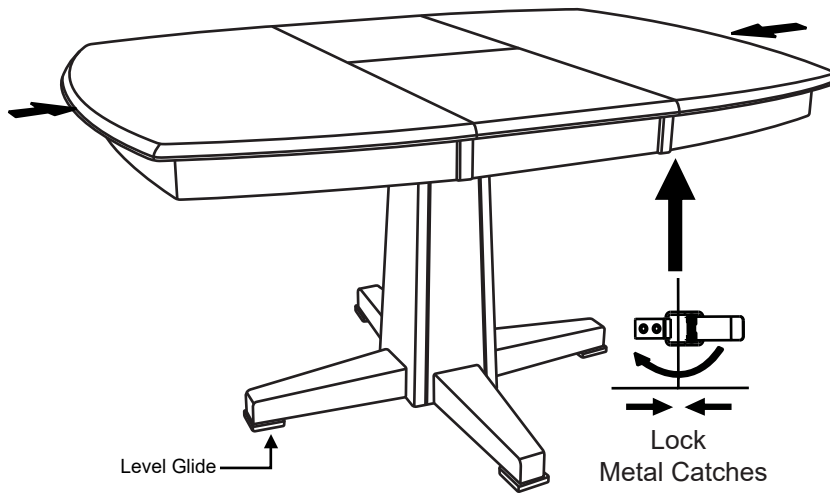
STEP 4

Lift both leaves from the compartment and flip up the aprons then unfold table leaf and place the leaf on the top surface carefully.



STEP 5

Push table top from both ends to close gap and lock the hooks underneath the table. Adjust the level glides until the table sits firmly.



TO STORE THE CENTRE LEAF WHEN NOT IN USE

Unlock the hooks underneath the table and pull the table top wide open equally from both ends. Flip down the aprons and fold the centre leaf to store within the compartment. Push table top from both ends to close. Lock the hooks underneath the table.

