

Thank You for purchasing this Quality product. It has been engineered for easy assembly yet constructed for durability. Please take the time to read and follow the instructions while assembling. Please be sure to read the Notes section at the bottom of the page before beginning Assembly. Thank You

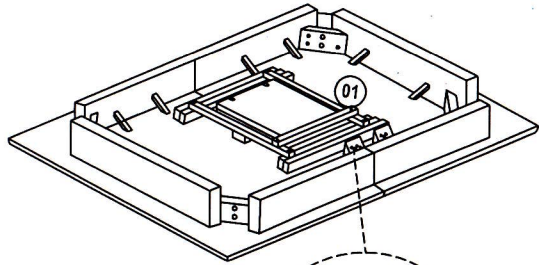
# ASSEMBLY INSTRUCTION

## LANCASTER 82" RECTANGULAR LEG TABLE

Model : T1-LC104S-X (DBVEB 1522)

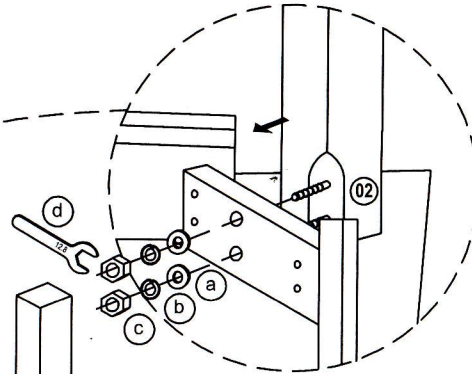
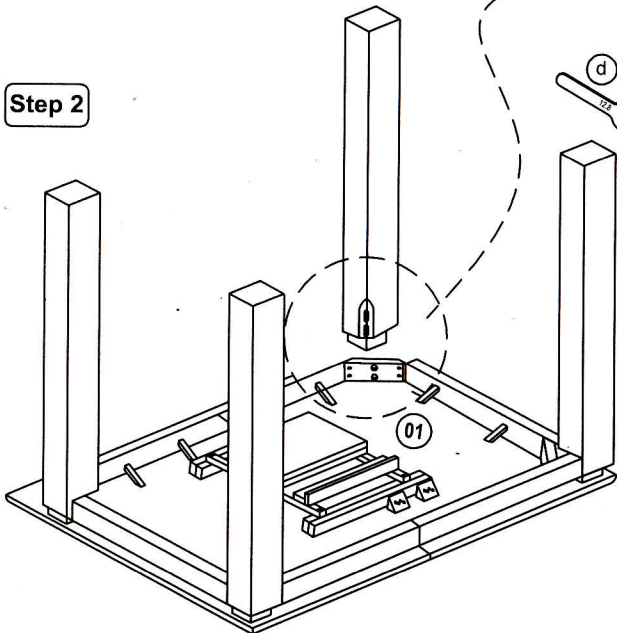
Size : 42" X 64" X 82" X 30"H

### Step 1

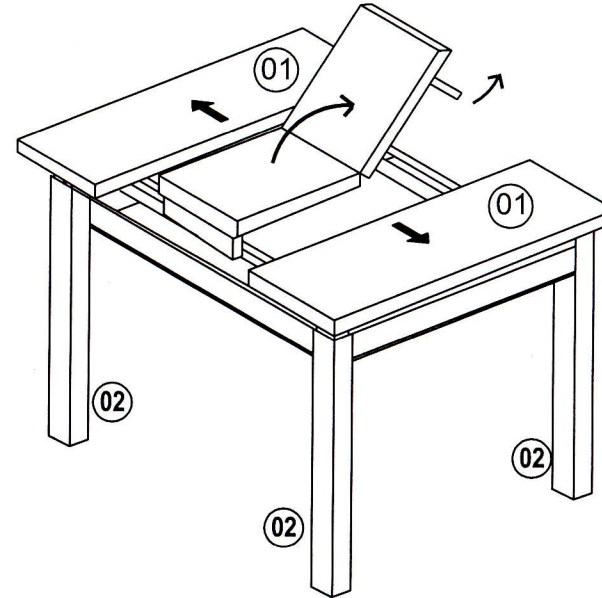


Unlock the Cam Lock under the table before Center Leaf assembled then lock it.

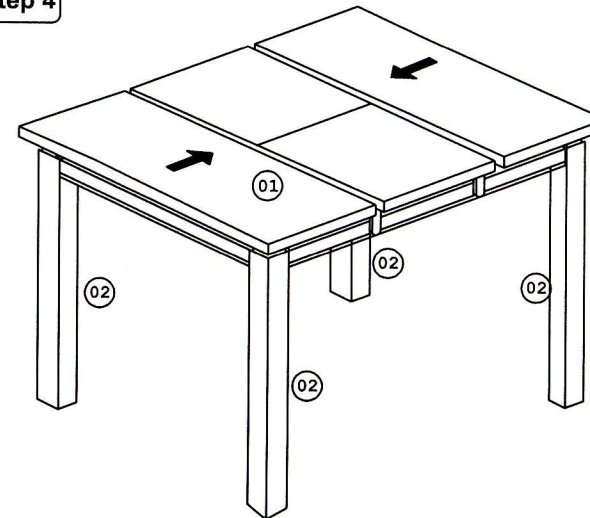
### Step 2



### Step 3



### Step 4



#### List of Part For 1 Set

01		Table Top	1
02		Leg	4

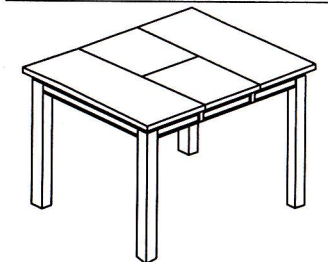
#### List of hardware For 1 Set

a		Flat Washer 5/16" x 22mm	8
b		Spring Washer 5/16"	8
c		Hexagon Nut 5/16" x 7mm	8
d		Spanner 12.8mm	1



#### Important Notes

- \* Keep all hardware parts out of reach of children.
- \* Must tighten screws periodically. With use screws will become loose. Check tightness of all screws every 6-8 weeks.
- \* Don't attempt to repair or modify parts that are broken or defective. Please contact the store immediately.
- \* Do not tighten all screw / bolt until all completely assembled



Assembly Completed !!..

MADE IN MALAYSIA