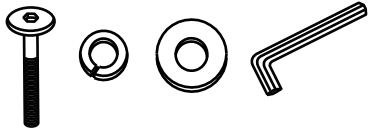
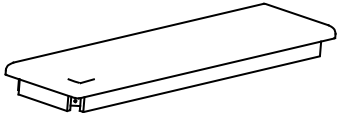
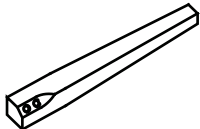


# Assembly Instructions

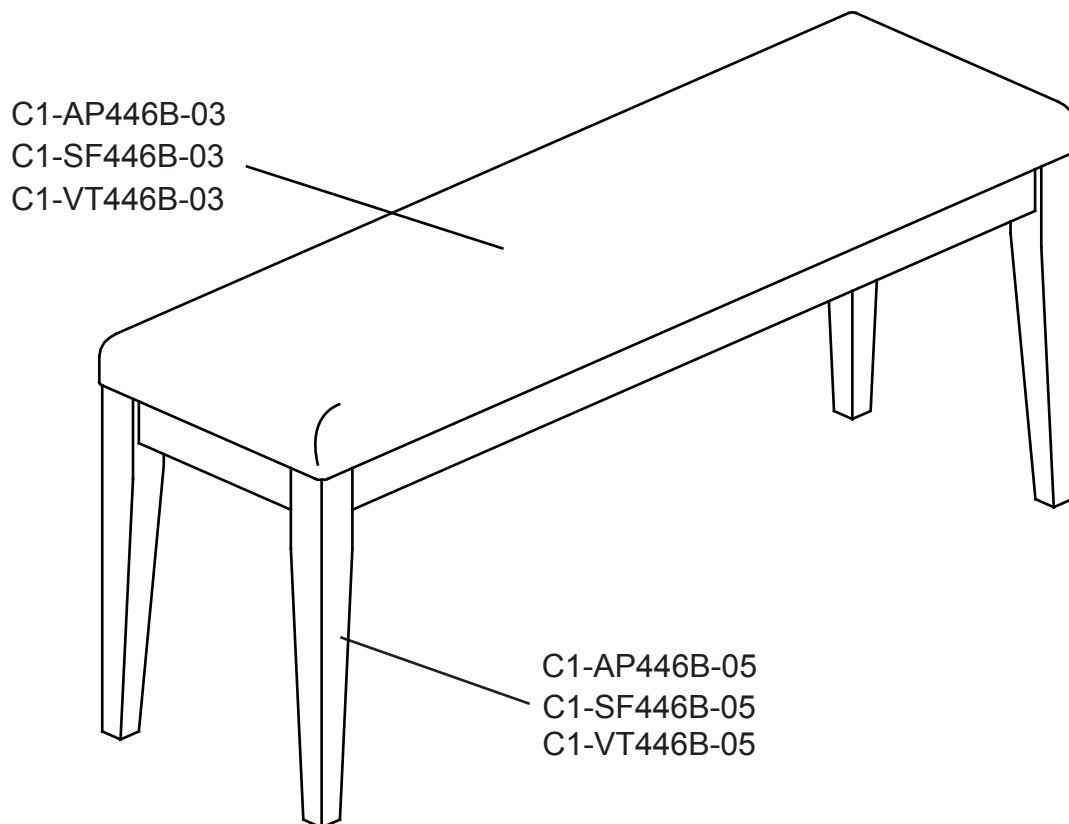
C1-AP446B-G / C1-SF446B-C / C1-VT446B-G

46" BENCH

## PARTS LIST

PART NO	FIGURE	DESCRIPTION	QTY
C1-AP446B-01 C1-SF446B-01 C1-VT446B-01		Hardware Bag	1 pc
C1-AP446B-03 C1-SF446B-03 C1-VT446B-03		Bench Top	1 pc
C1-AP446B-05 C1-SF446B-05 C1-VT446B-05		Bench Leg	4 pcs

**IMPORTANT NOTE :** Please keep all hardware parts out of the reach of children.



# Assembly Instructions





C1-AP446B-G / C1-SF446B-C / C1-VT446B-G

46" BENCH

## Reminders :

- Two people are needed for assembly.
- Use only hardware supplied.
- Do not over tighten bolts.
- This item may require periodic tightening.

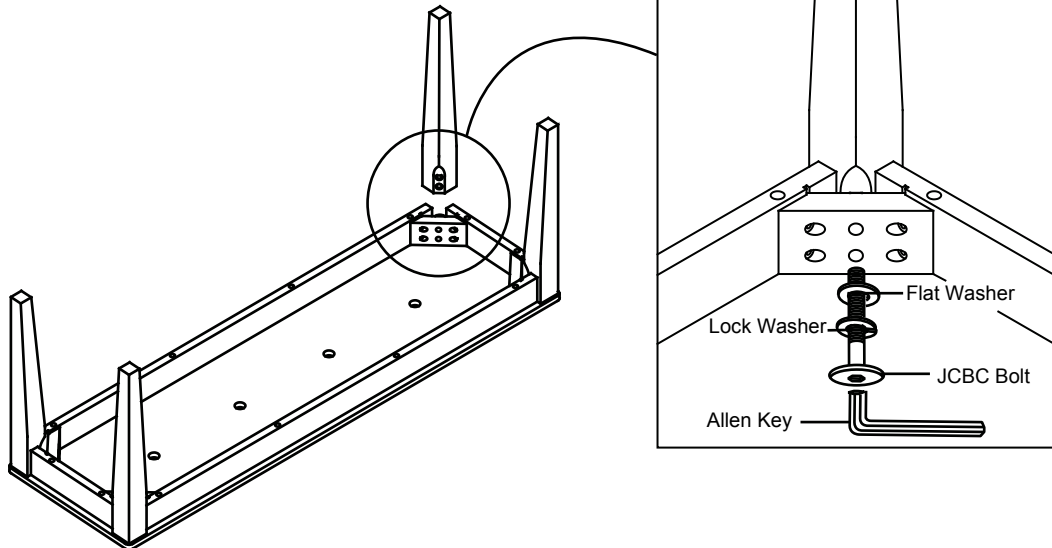
## HARDWARE PART :

			
JCBC Bolt 8 pcs	Lock Washer 8 pcs	Flat Washer 8 pcs	Allen Key 1 pc

## ASSEMBLY :

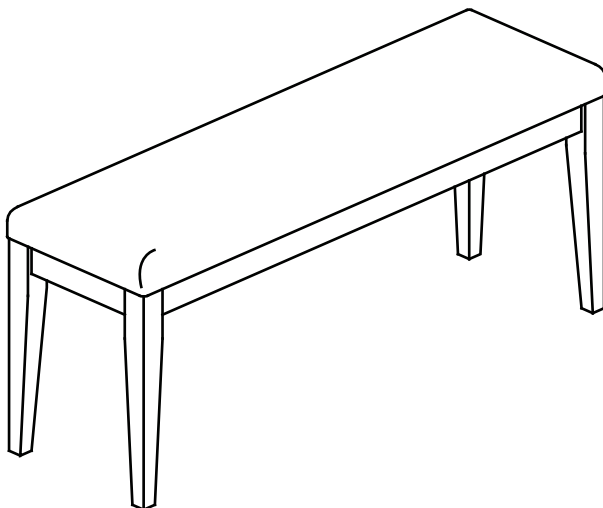
### STEP 1

Turn the Bench Top upside down on a protective surface such as carpet or other soft material. Place the Bench Leg to corner of Apron, then tighten the **Flat Washer**, **Lock Washer** and **JCBC Bolt** using the **Allen Key** provided. Repeat the same for the other legs.



### STEP 2

Set Bench upright on its legs.



### IMPORTANT NOTE :

~ Please keep all hardware out of the reach of children.

### CARE INSTRUCTION

- ~ Be sure to use the same type of polish consistently. Your furniture will appear cloudy or streaky if oil based or wax based polishes are interchanged.
- ~ Spray your furniture surface evenly. Wipe in a circular motion with a soft clean cloth.