

WINNERS ONLY®

ASSEMBLY INSTRUCTIONS

PROD. NO : C1-CH14824- -G

Thank you for purchasing this quality product. Please read the instructions thoroughly before unpacking the assembly parts.

Caution: sharp exposed staple tips can cause injury, therefore for your protection, please remove any exposed staples used in packing.

Please keep all hardware parts out of the reach of children.

1. We recommend that you should assemble this product with the assistance of another person; this will make the assembly easier, and will help to prevent personal injury and to insure parts are not damaged during the assembly process.

2. Before beginning, please check the packing materials carefully for small parts which may have come loose inside the carton during shipping. Please do not discard any packing material until all parts have been located. If any parts are missing, please contact your dealer for prompt replacement.

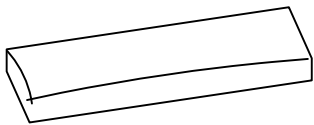
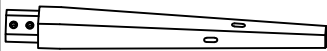

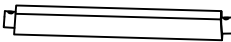
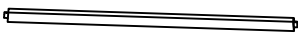
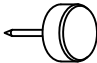
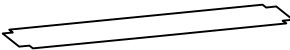
3. To prevent damage to your floor or carpet, please check the bottom of each piece of furniture for stain residues and rough surfaces and also check for staples or nails left after removing the packing materials. The manufacturer will not be held responsible if preventive steps are not taken prior to installation.

4. Please do not over tighten screws or bolts. During normal use everyday, screws, bolts, nuts and wooden plugs may loosen up. They should be periodically inspected and re-tightened to prevent damage to the furniture and (or) personal property or cause injury. Always check to be sure all hardware on this list and the below mentioned components are attached to the furniture properly and kept tightened.




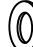

5. Please lay all parts and hardware on a non abrasive surface such as a carpet, and follow the assembly

This product will take 15-20 minutes to assemble

Components List :

NO	DESCRIPTION	SKETCH	QTY
A	Cushion Seat with Frame		1pc
B	Bench Leg (Left)		2pcs
C	Bench Leg (Right)		2pcs
D	Side Stretcher		2pcs
E	Front Stretcher		2pcs
F	Plastic Glides		4pcs
G	Velcro		1pc

Hardware List :

NO	DESCRIPTION	SIZE	SKETCH	QTY
1	Allen Key	58x23x4 mm		1pc
2	Bolt	1/4" x45 mm		8pcs
3	Spring Washer	5/16" x Ø12		8pcs
4	Flat Washer	5/16" x Ø19		8pcs
5	Wood Screw	Ø8 x 50 mm		8pcs

TIP: store the Allen key and or Wrench used in assembly in this product's drawer or use masking or painter's tape to affix it to the underside of the product. This will make it easier to find if you want to periodically tighten bolts or disassemble the product.

Reminders

1. Use only the hardware supplied.
2. Once the chair is finished, level and tighten all the bolts.
3. Do not over-tighten bolts.
4. This item may require periodic tightening.

NOTE :

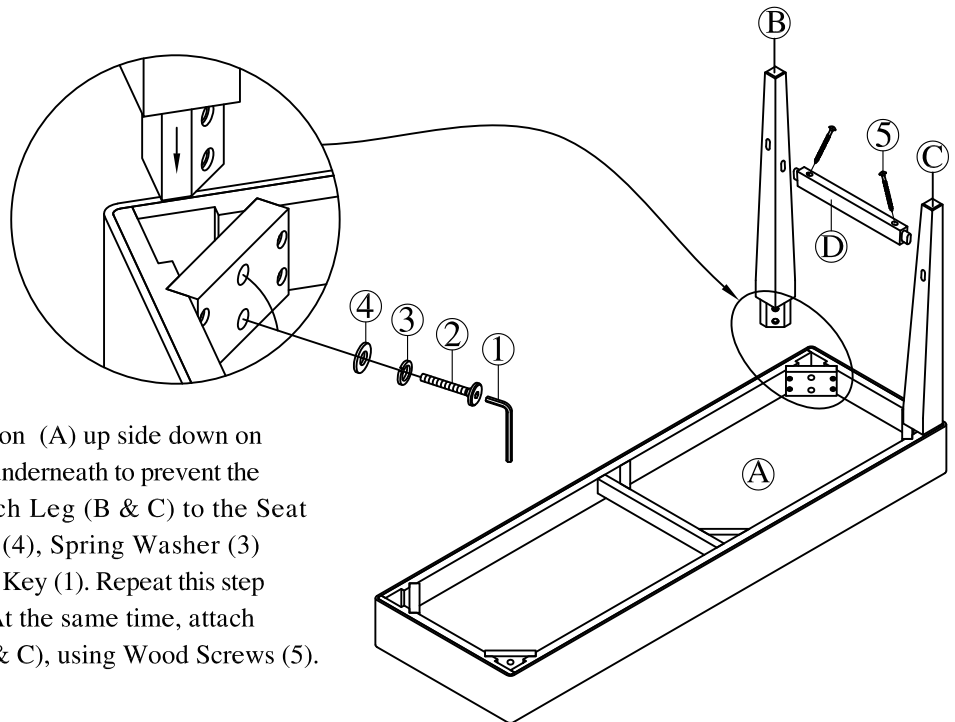
1. Hardware pack is located underneath the Cushion Seat with Frame (A).
2. Two or more people are needed for assembly. Please keep all hardware parts out of the reach of children.

WINNERS ONLY®

ASSEMBLY INSTRUCTIONS

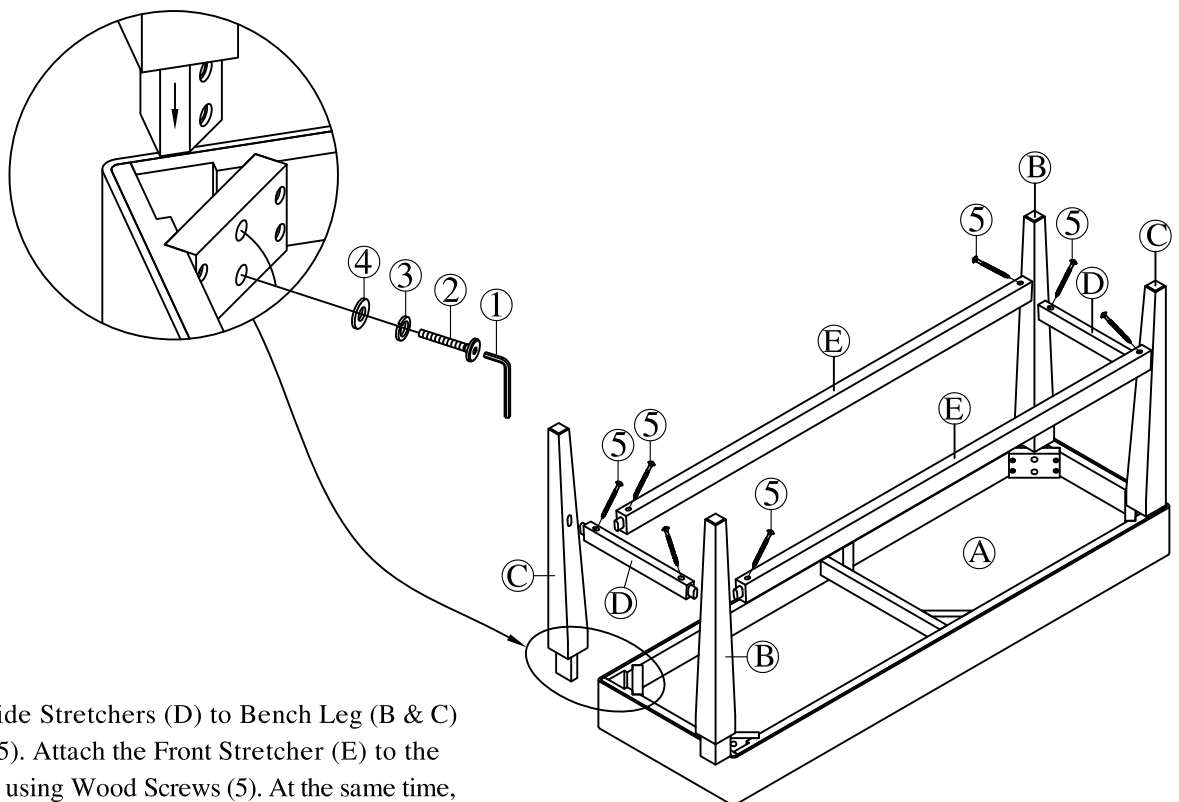
PROD. NO : C1-CH14824- -G

STEP 1



Step 1: Place the Seat Frame with Cushion (A) up side down on the floor with a piece of cloth or carpet underneath to prevent the finish from scratching. Attach the Bench Leg (B & C) to the Seat Frame (A) and secure with Flat Washer (4), Spring Washer (3) and Bolt (2). Tighten Bolt (2) with Allen Key (1). Repeat this step for the remaining that Reinforced Leg. At the same time, attach the Side Stretcher (D) to Bench Leg (B & C), using Wood Screws (5).

STEP 2



Step 2: Assemble Side Stretchers (D) to Bench Leg (B & C) using Wood Screw (5). Attach the Front Stretcher (E) to the Bench Leg (B & C), using Wood Screws (5). At the same time, attach the Bench Leg (B & C) and Side Stretcher (D) to the Seat Frame corner (A) and secure with Flat Washer (4), Spring Washer (3) and Bolt (2). Tighten Bolt (2) with Allen Key (1). Repeat this step for the remaining Bench Leg, Front Stretcher and Side Stretcher.

2 OF 3

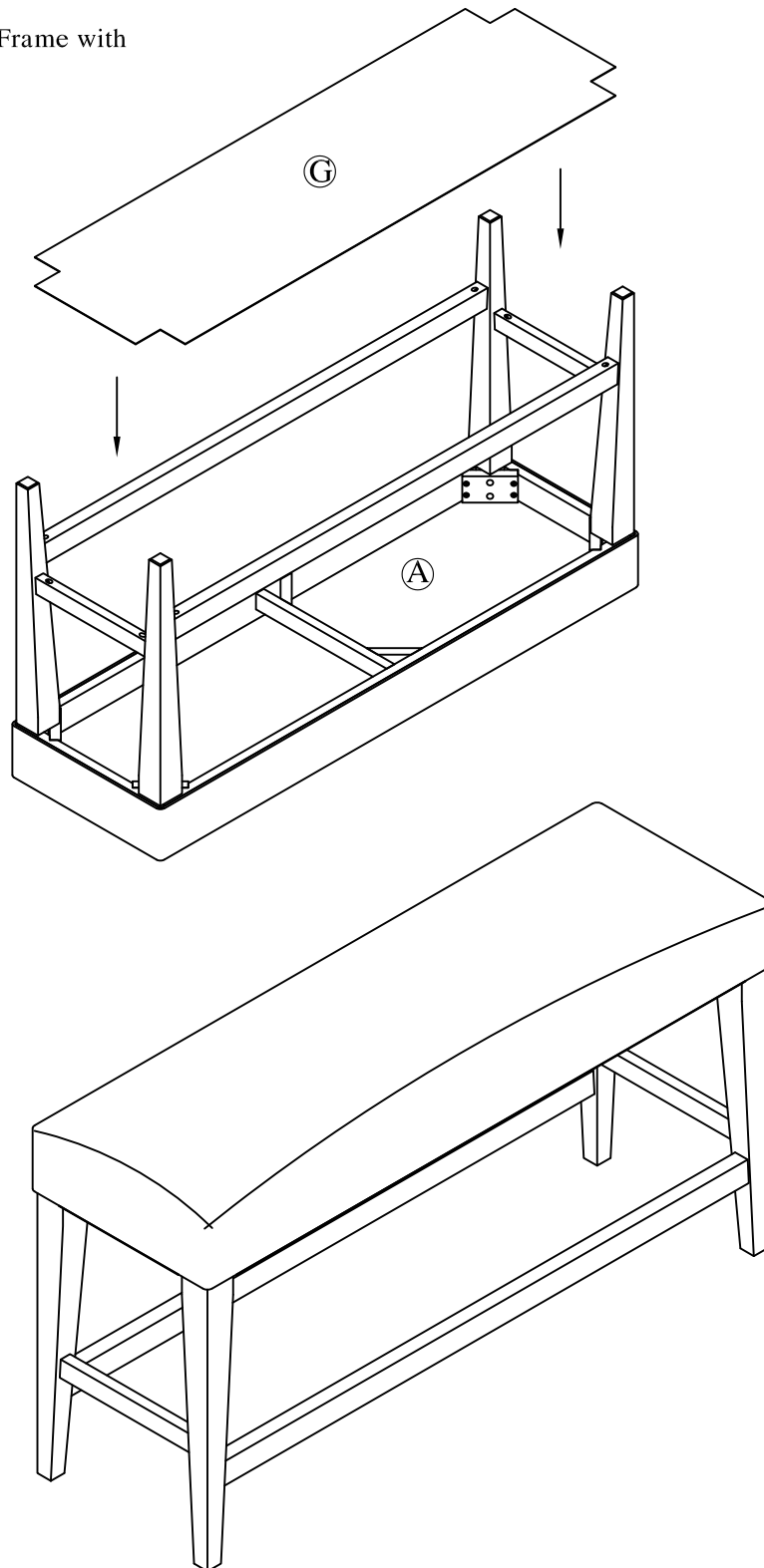
WINNERS ONLY®

ASSEMBLY INSTRUCTIONS

PROD. NO : C1-CH14824- -G

STEP 3

Step3: Attach the Velcro (G) to Seat Frame with Cushion (A)



Assembly is now complete
Thank you for purchasing this product.

3 OF 3