

WINNERS

ONLY INC.

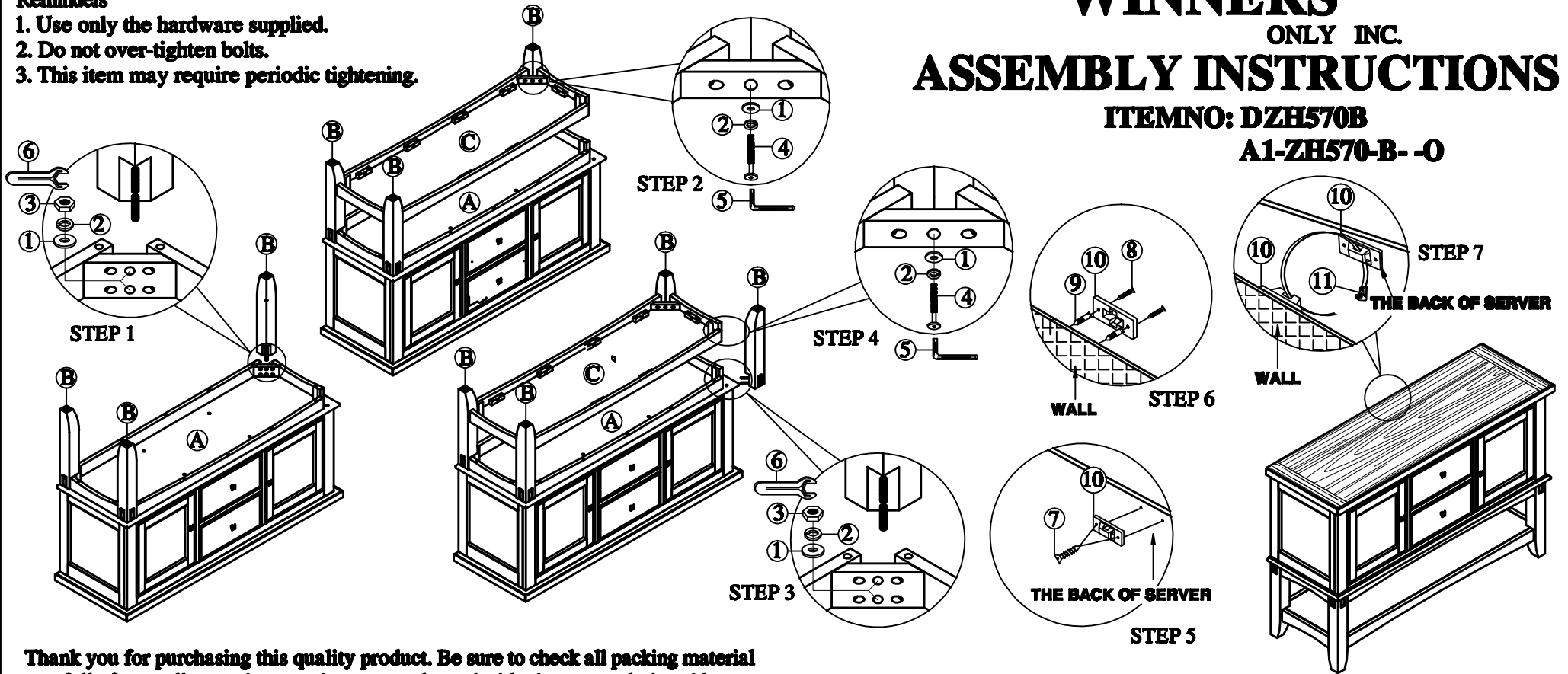
ASSEMBLY INSTRUCTIONS

ITEMNO: DZH570B

A1-ZH570-B-0

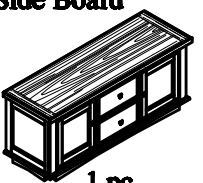
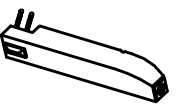
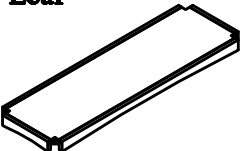


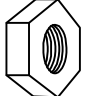


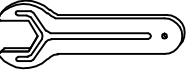
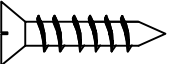
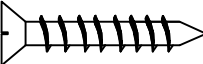

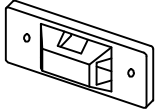
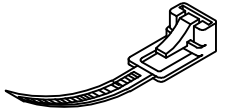
Reminders

1. Use only the hardware supplied.
2. Do not over-tighten bolts.
3. This item may require periodic tightening.



Thank you for purchasing this quality product. Be sure to check all packing material carefully for small parts that may have come loose inside the carton during shipment.

TO INSTALL THE SAFETY WALL STRAP

A Side Board  1 pc	B Leg  4 pcs	C Leaf  1 pc	1 Flat Washer  12 pcs	2 Spring Washer  12 pcs	3 Hex-Nut  8 pcs	4 Bolt  4 pcs
5 Allen Key  1 pc	6 Wrench  1 pc	7 Screw (Ø7xØ3.5x16)  2 pcs	8 Screw (Ø7xØ3.5x25)  2 pcs	9 Wall Mounts  2 pcs	10 Mounting Plates  2 pcs	11 Secure Band  1 pc