

Reminders

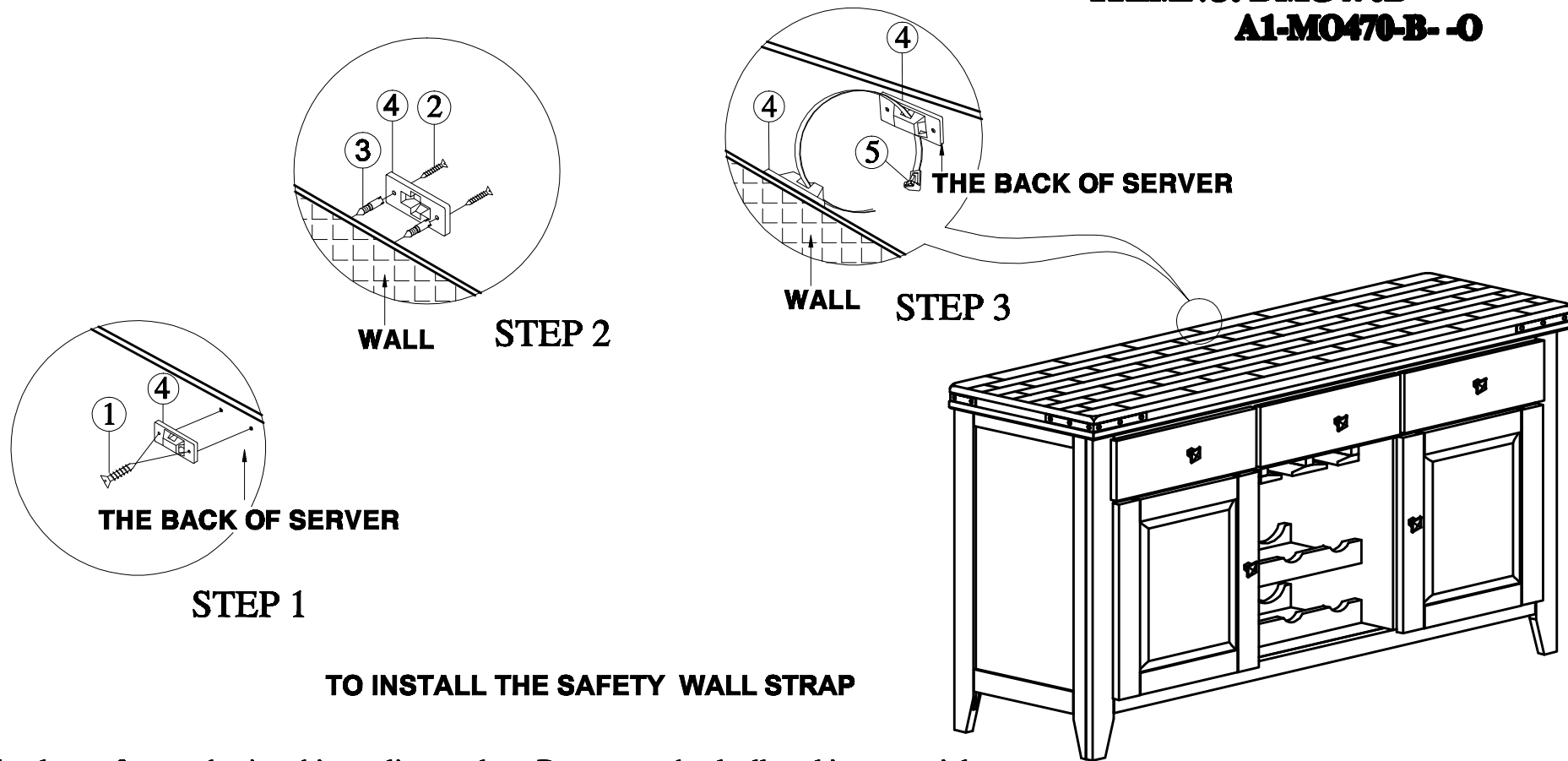
1. Use only the hardware supplied.
2. Do not over-tighten bolts.
3. This item may require periodic tightening.

WINNERS ONLY INC.

ASSEMBLY INSTRUCTIONS

ITEMNO: DMG470B

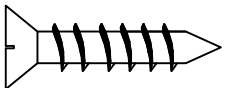
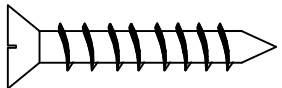

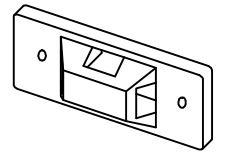
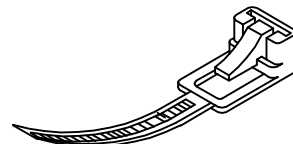
A1-M0470-B-0



TO INSTALL THE SAFETY WALL STRAP

Thank you for purchasing this quality product. Be sure to check all packing material carefully for small parts that may have come loose inside the carton during shipment.

MADE IN VIETNAM

<p>① Screw ($\phi 7^* \phi 3.5^* 16$)</p>  <p>2 PCS</p>	<p>② Screw ($\phi 7^* \phi 3.5^* 25$)</p>  <p>2 PCS</p>	<p>③ Wall Mounts</p>  <p>2 PCS</p>	<p>④ Mounting Plates</p>  <p>2 PCS</p>	<p>⑤ Secure Band</p>  <p>1 PC</p>
---	---	--	---	--