

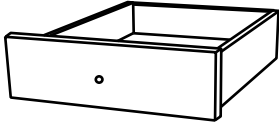

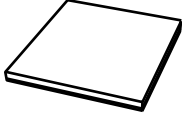


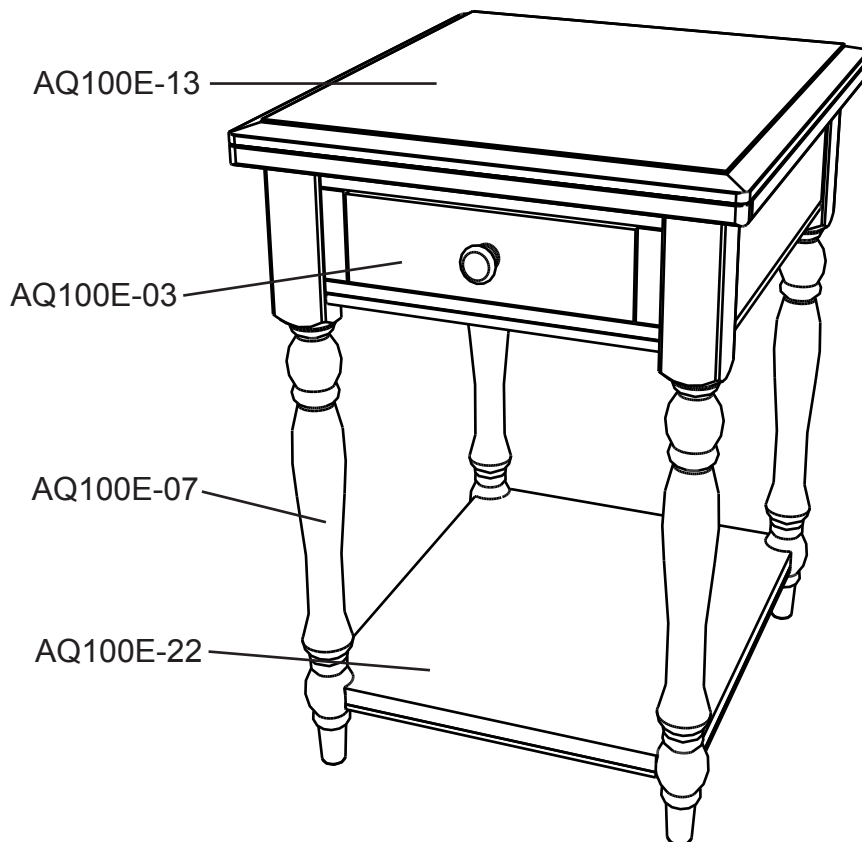
# Assembly Instructions

T2-QR100E-B  
20" END TABLE

## PARTS LIST

PART NO	FIGURE	DESCRIPTION	QTY
AQ100E-01		Hardware Bag	1 pce
AQ100E-13		Table Top	1 pce
AQ100E-03		Drawer	1 pce
AQ100E-07		Legs	4 pcs
AQ100E-22		Fixed Shelf	1 pce

**IMPORTANT NOTE** : Please keep all hardware parts out of the reach of children.



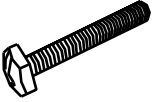


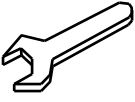


# Assembly Instructions

T2-QR100E-B  
20" END TABLE

## Reminders :

Two people are needed for assembly.  
Use only hardware supplied.  
Do not over tighten bolts.  
This item may require periodic tightening.

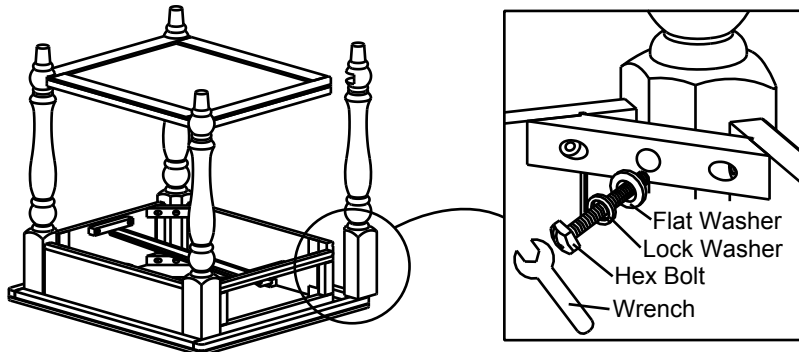
## HARDWARE PART :

					
Hex Bolt 8 pcs	Lock Washer 8 pcs	Flat Washer 8 pcs	Wrench 1 pc	Wood Knob 1 pc	Truss Head Screw 1 pc

## ASSEMBLY :

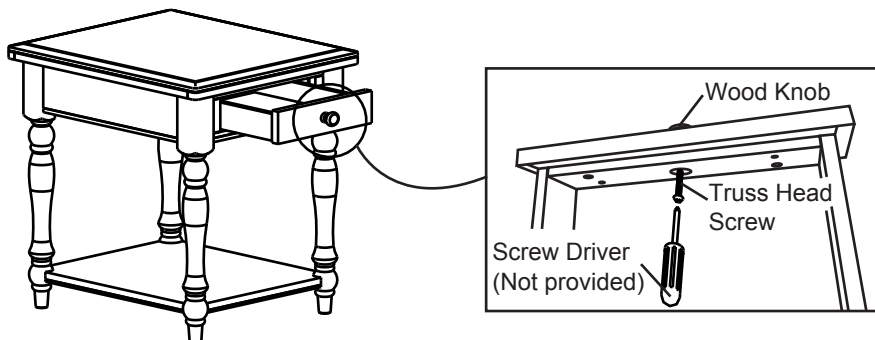
### STEP 1

Pull out the Drawer Box as shown and Turn the Table Top upside down on a protective surface such as carpet or other soft material. Use **Flat Washer**, **Lock Washer**, **Hex Bolt** and **Wrench**, to attach three legs randomly to the table top, do not fully tighten yet. Insert the fixed shelf into the legs as shown in the diagram, then install the fourth leg.



### STEP 2

Set the table upright on its legs. Then insert the Drawer Box to its compartment. Unscrew the knob from the back of the drawer. Then install the knob onto the front of the drawer, as shown in the diagram.



### STEP 3

Check its balance and tighten all bolts to complete the assembly.



#### IMPORTANT NOTE :

~ Please keep all hardware out of the reach of children.

#### CARE INSTRUCTION

~ Be sure to use the same type of polish consistently. Your furniture will appear cloudy or streaky if oil based or wax based polishes are interchanged.  
~ Spray your furniture surface evenly. Wipe in a circular motion with a soft clean cloth.