

IMPORTANT NOTICE:
Storing and opening the leaf requires 2 people.

WINNERS ONLY®

ASSEMBLY INSTRUCTIONS

PROD. NO : T1-CH4866 - -G

Thank you for purchasing this quality product. Please read the instructions thoroughly before unpacking the assembly parts.

Caution: sharp exposed staple tips can cause injury, therefore for your protection, please remove any exposed staples used in packing.

Please keep all hardware parts out of the reach of children.

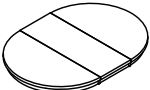
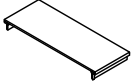
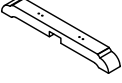
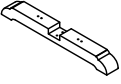
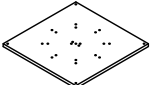
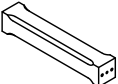


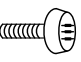
1. We recommend that you should assemble this product with the assistance of another person; this will make the assembly easier, and will help to prevent personal injury and to insure parts are not damaged during the assembly process.

2. Before beginning, please check the packing materials carefully for small parts which may have come loose inside the carton during shipping. Please do not discard any packing material until all parts have been located. If any parts are missing, please contact your dealer for prompt replacement.

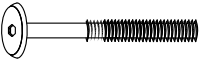






3. To prevent damage to your floor or carpet, please check the bottom of each piece of furniture for stain residues and rough surfaces and also check for staples or nails left after removing the packing materials. The manufacturer will not be held responsible if preventive steps are not taken prior to installation.

4. Please do not over tighten screws or bolts. During normal use everyday, screws, bolts, nuts and wooden plugs may loosen up. They should be periodically inspected and re-tightened to prevent damage to the furniture and (or) personal property or cause injury. Always check to be sure all hardware on this list and the below mentioned components are attached to the furniture properly and kept tightened.

5. Please lay all parts and hardware on a non abrasive surface such as a carpet, and follow the assembly

COMPONENTS LIST			QTY
A	Table Top		1pc
B	Table Leaf		1pc
C	Base 1		1pc
D	Base 2		1pc
E	Mounting Plate		1pc
F	Post		1pc
G	Trestle Bar		4pcs
H	Clamp Lock		4pcs
I	Adjustable Leveler		4pcs

Hardware List :

NO	DESCRIPTION	SIZE	FIGURE	QTY
1	Long Bolt	Ø5/16"x 105mm		6pcs
2	Spring Washer	Ø5/16"x 12mm		16pcs
3	Small Flat Washer	Ø5/16"x 14mm		6pcs
4	Allen Key	58x 23x 4mm		1pc
5	Short Bolt	Ø5/16"x 45mm		6pcs
6	Flat Washer	Ø5/16"x 19mm		10pcs
7	Short Bolt	Ø1/4"x 75mm		4pcs

TIP: store the Allen key and or Wrench used in assembly in this product's drawer or use masking or painter's tape to affix it to the underside of the product. This will make it easier to find if you want to periodically tighten bolts or disassemble the product.

IMPORTANT NOTE:

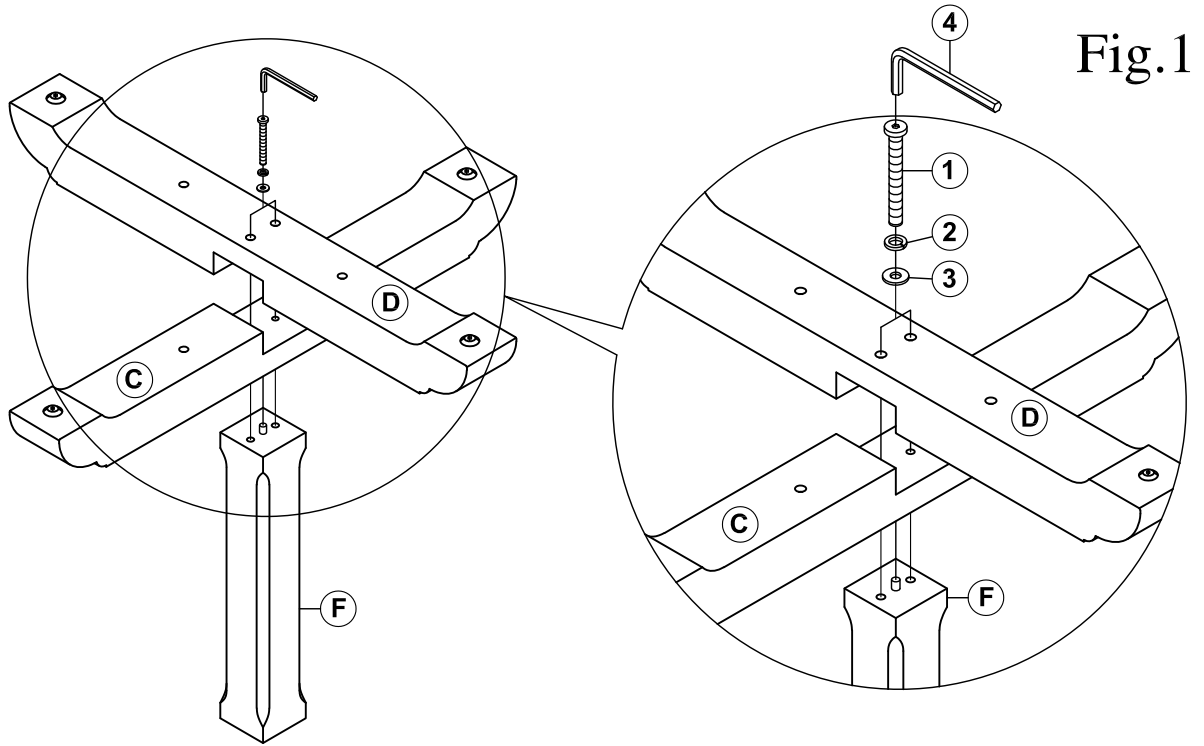
- Please keep all hardware parts out of the reach of children.
- Two or more people are needed for assembly.

WINNERS ONLY®

ASSEMBLY INSTRUCTIONS

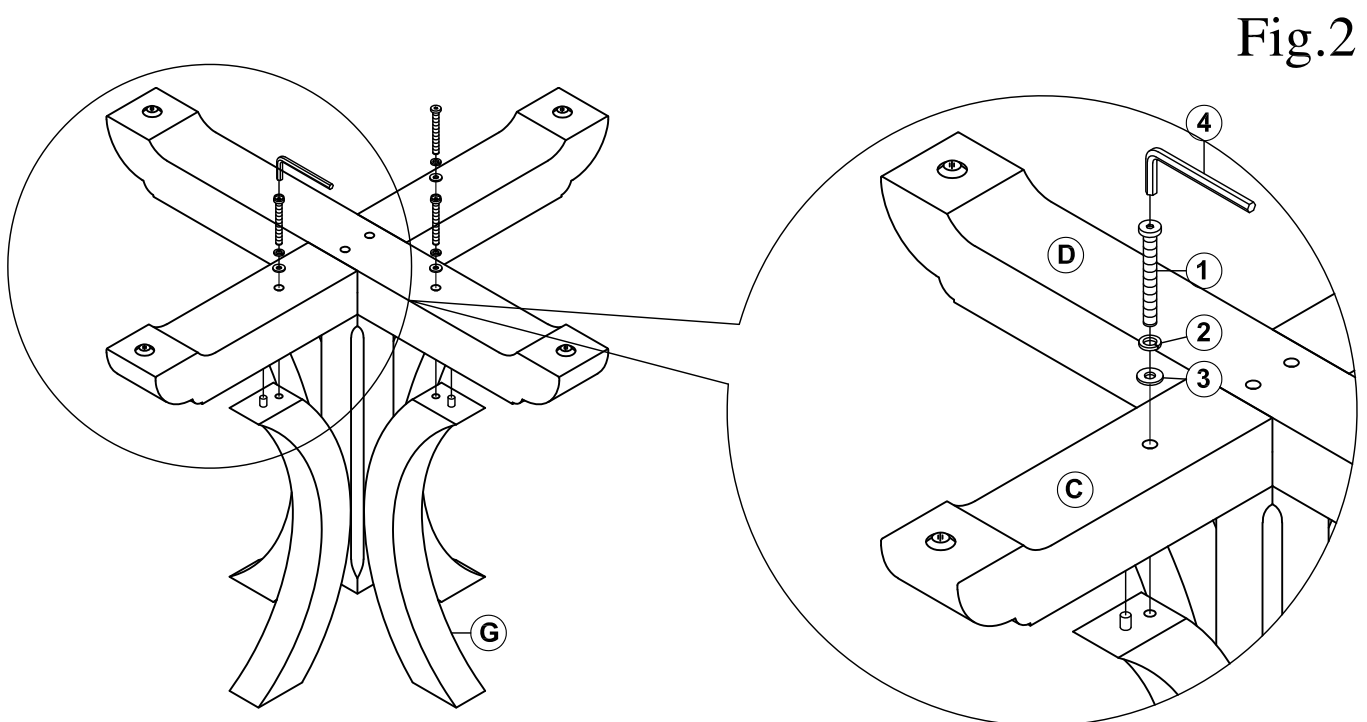
STEP 1:

Attach Base 1 and Base 2 (C & D) to the Post (F) using the provided hardware as shown on Fig.1.



STEP 2:

Attach Trestle Bar (G) to the Base 1 and Base 2 (C & D) using the provided hardware as shown on Fig.2.

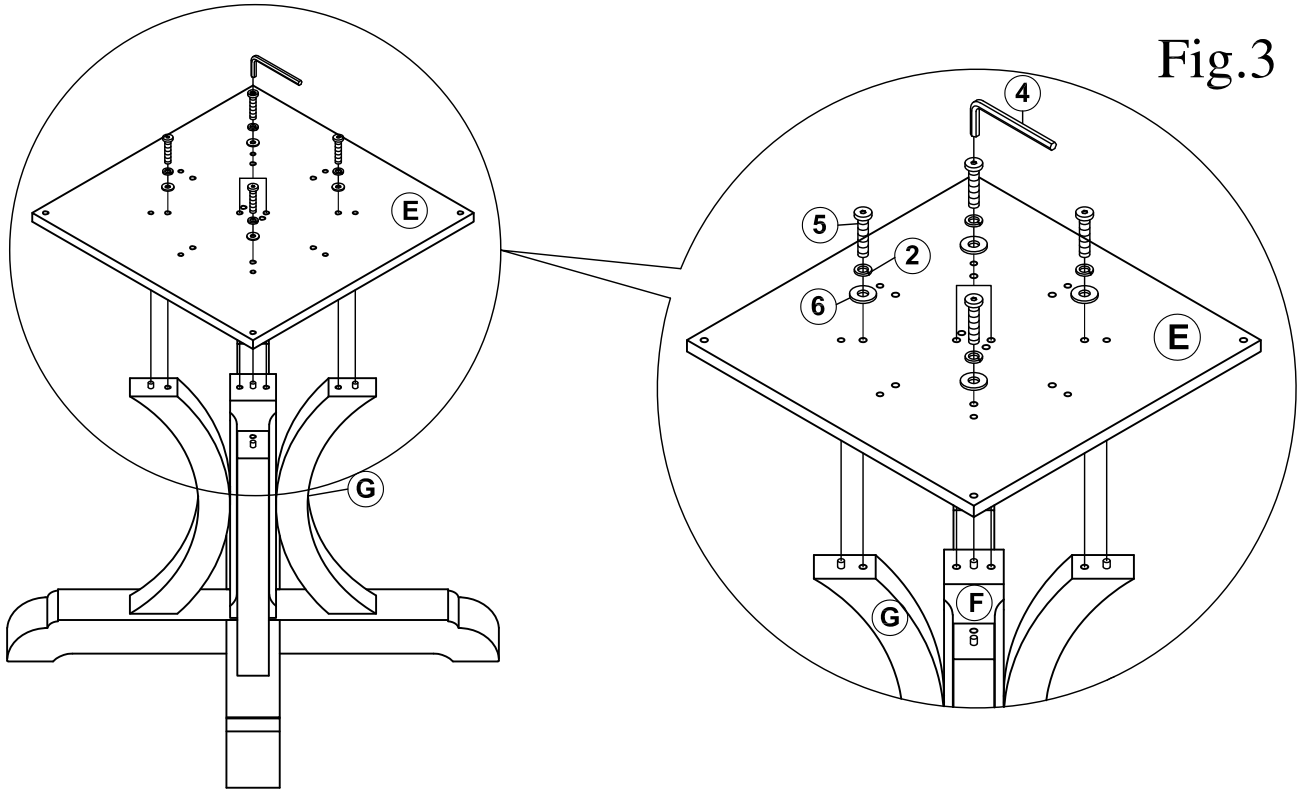


WINNERS ONLY®

ASSEMBLY INSTRUCTIONS

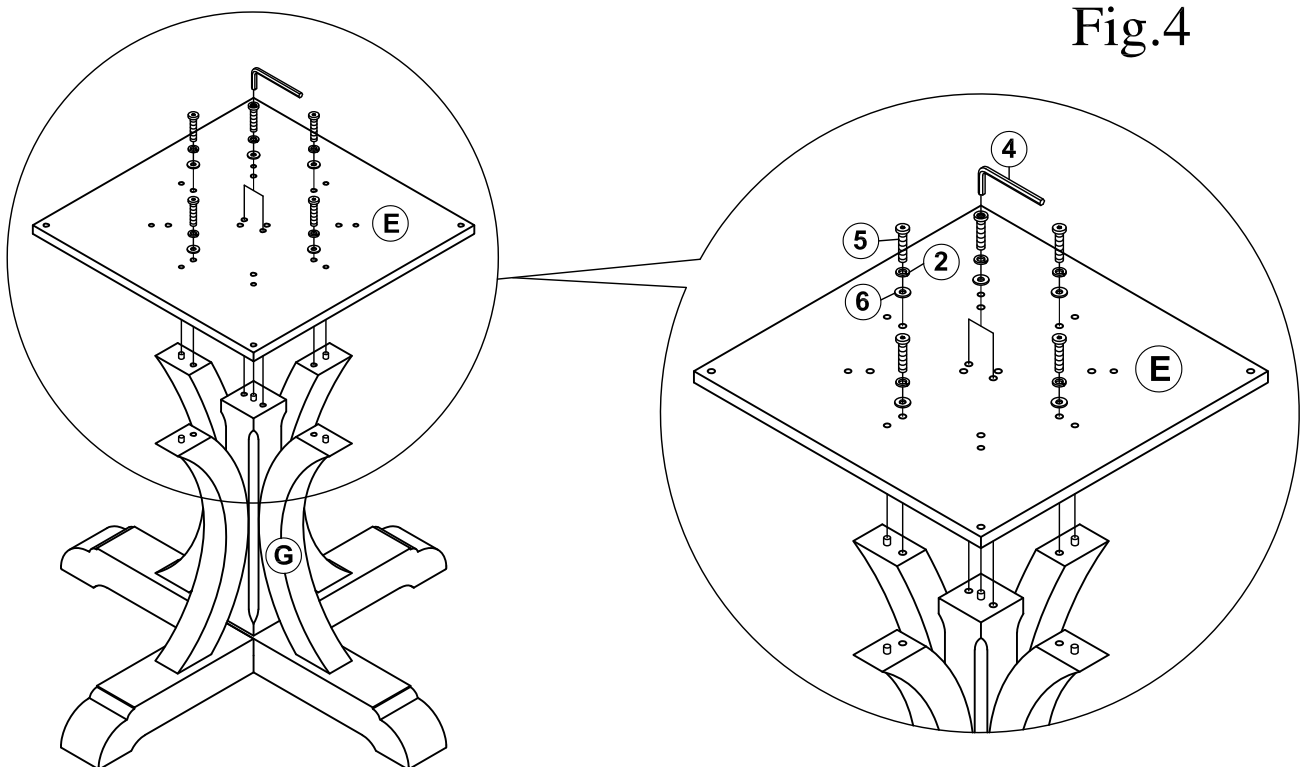
STEP 3:

Attach Mounting Plate (E) to the Post (F) and Trestle Bar (G) using the provided hardware as shown on Fig.3.



STEP 4:

Attach Mounting Plate (E) to the Post (F) and Trestle Bar (G) using the provided hardware as shown on Fig.4.



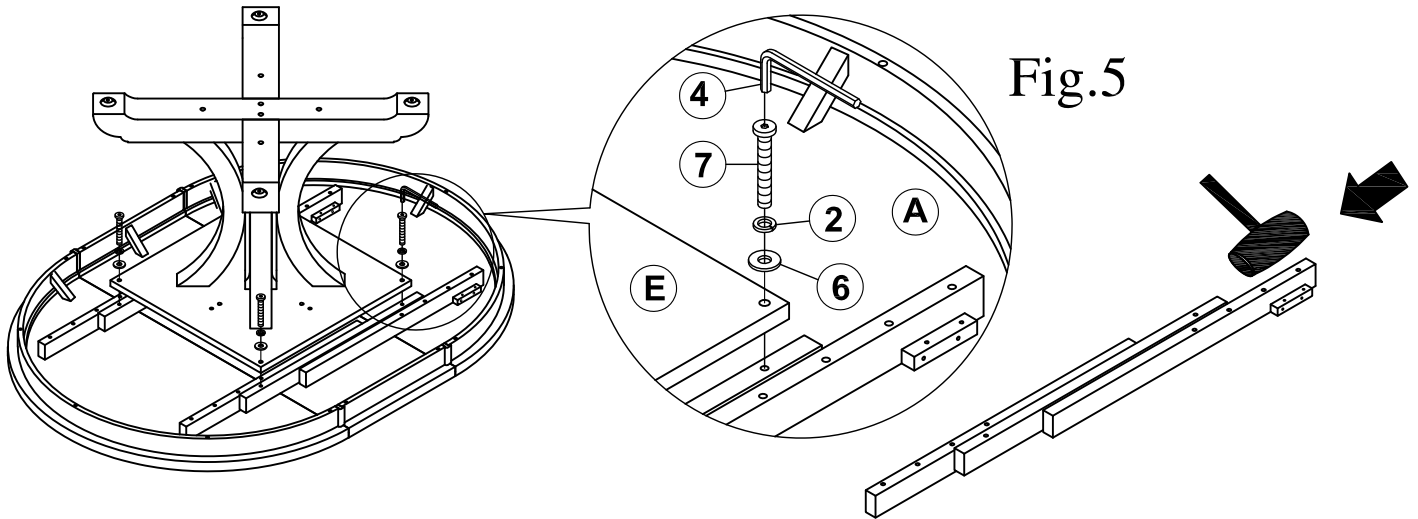
WINNERS ONLY®

ASSEMBLY INSTRUCTIONS

STEP 5:

Attach Mounting Plate (E) to the Table Top (A) using the provided hardware as shown on Fig.5.

NOTE: In the event that the holes from the Mounting Plate do not align to the inserts located in the glides of the Table Top (A), use a rubber mallet (not provided) to gently tap the center wooden bar from the glide until the inserts and holes align to each other.



STEP 6:

- Turn the table to the upright position.
- Open the Clamp Lock (H) underneath of the Table Top (A).
- Pull the Table Top (A) from both ends and open the Table Leaf (B).
- Close the table top by pushing from both ends and lock the Clamp Lock (H) underneath of the Table Top (A) to prevent from sliding. Please put your hand in the place as show in the illustration when pick up the leaf to avoid injury. Assembly product is now completed.

